



For use in small to medium sized dwellings

The enhanced capacity HRV1.6 Q Plus continuously running whole-house ventilation unit with heat recovery is independently tested by the BRE maintains an ultra compact size despite its improved results.

Combining extremely low power consumption and a highly efficient heat exchanger, this unit enhances SAP performance via Appendix Q, and yet remains versatile enough in size to be equally as functional in larger apartments as it is in small to medium sized dwellings.

The Eco versions offer a 100% airflow diverting Summer Bypass, recognised and listed in the UK Product Characteristics Database. They also include intelligent humidity options and can be fitted with the auralite® status indicator (HMB and B models) or the auramode®, aurastat® or aura-t™ controllers (B models only).



Eco HMB Version



Eco B Version



aurastat®



auralite®



auramode®



aura-t™

Features & Benefits

- Highly versatile compact unit
- Extremely low Specific Fan Power; down to 0.49 W/l/s
- Highly efficient heat exchanger; up to 89%
- Airflow up to 100 l/s (359m³/h) at 100 Pa
- Accepts 125mm ducting no adaptors required
- Intelligent frost protection, stepped reduction of supply air rates prevents HRV unit from freezing
- ISO Coarse 55% (G3) filters as standard with ISO Coarse 60% (G4) as an option
- Fully adjustable boost overrun timer 0-60 minutes; can be used with nonlatching (momentary) switches to prevent unit from being accidentally left in boost mode
- Volt free switching control
- Intelligent controller, quick and easy to commission
- Lightweight for easy handling
- Quick fix mounting bracket
- Patented
- Independent fan adjustment
- Effective in reducing pollutants in the home and improving Indoor Air Quality (IAQ), therefore reducing the risk of Toxic Home Syndrome

Eco Versions:

- Intelligent Summer Bypass & humidity controls
- SUMMERboost® facility

Eco HMB Models:

- Compatible with auralite® (TP518) status indicator
- Quick access filter doors as standard

Eco B Models:

- Compatible with Eco-aura range; aurastat® auramode® and aura-t™ controllers and auralite® (TP519) status indicator.
- Duct heater control (requires independent power supply)
- Available in left and right handed configurations
- BMS compatible via RS485

Product Codes

HRV1.6 Q Plus HMB Eco auralite® ready -
TP409HMB - Energy Rating A

HRV1.6 Q Plus B Eco-aura controls ready -
TP419B/LH (left hand config) or
TP419B/RH (right hand config) - Energy Rating A+

Filters (Eco Versions):

XP40133/99 - ISO Coarse 55% (G3) filters fitted as standard (UK only).

XP46133/099 - ISO Coarse 60% (G4) filters fitted on request (Europe fitted as standard).

XP46222/099 - ISO Coarse 55% (G3)/ISO ePM1 55% (F7) filters available on request.

XP46232/099 - ISO Coarse 60% (G4) filters/ISO ePM1 55% (F7) filters available on request.

Standards

Conforms to requirements of UK statutory Building Regulations and Technical Standards for Ventilation and BRE 398.

SAP Appendix Q tested
 (http://www.ncm-pcdb.org.uk/sap/pcdbsearch.jsp?pid=34)

Exceeds requirements of Building Regulations Approved Document L (England & Wales).

EU RoHS Directive compliant.

Conforms to requirements of EC council directives relating to Electromagnetic Compatibility and Electrical Safety:
 2006/95/EC (LVD), 2004/108/EC (EMC)
 EN 60335-1:2002/A2:2006, EN 60335-2- 80:2003/A1:2004.

CE Marked.

Specification

Dimensions: 600mm wide x 505mm high (excluding ports) x 353mm deep (363mm with mounting bracket)

Weight: 22kg

Finish: White Paint

Materials:

Housing: Zintec sheet steel housing, powder coated white

Internals: Expanded polypropylene (EPP)

Heat exchanger: Polystyrene

Internal insulation: Closed cell foamed Nitrile rubber, class 'O' fire rating

Standard filters: Grade ISO Coarse 55% (G3) synthetic filters.

Guarantee period: 3 years (UK only)

Electrical: 230V ~ 50/60Hz, 3A fuse

Installation: Install in accordance with regulatory requirements, such as the Domestic Ventilation Compliance Guide (England & Wales) and the Residential Ventilation Association recommendations.

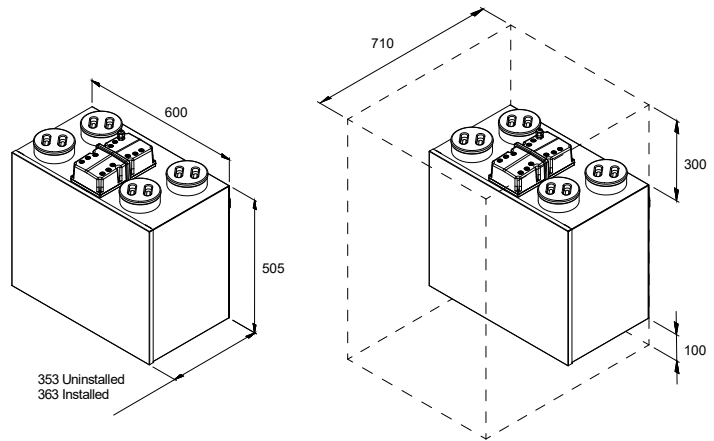
Maintenance: Service and filter clean/replacement subject to local environment - see product manual.

Acoustic Data

Product	% of Max flow	Airflow	dB(A) @ 3m Hemispherical			dB(A) @ 3m Spherical
			Induct Inlet	Induct Outlet	Casing Breakout	Casing Breakout
HRV1.6 Q Plus Eco	41%	44l/s @ 17Pa	33	42	18	15
	65%	71l/s @ 54Pa	44	50	30	27
	100%	98l/s @ 100Pa	54	63	43	40

For full frequency acoustic data at various speeds please see www.titon.co.uk. All acoustic data is third party tested at Sound Research Laboratories (SRL) Ltd.

Drawing & Dimensions



Performance

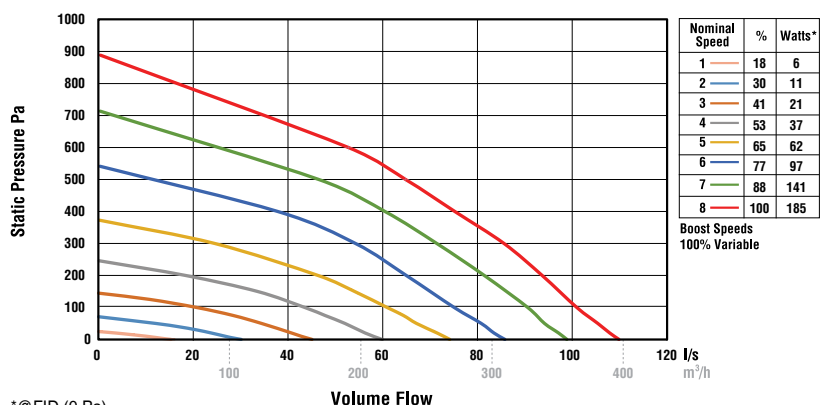
The figures and compliance levels below relate to current SAP requirements. Revised SAP guidance will have an effect on performance and up-to-date figures can be found on the relevant product page at www.titon.co.uk.

Exhaust terminal configuration*	Fan speed setting	Specific fan power (W/l/s)	Heat exchange efficiency (%)
Kitchen + 1 additional wet room	100% variable	0.49	89
Kitchen + 2 additional wet rooms	100% variable	0.49	89
Kitchen + 3 additional wet rooms	100% variable	0.53	87
Kitchen + 4 additional wet rooms	100% variable	0.63	86
Kitchen + 5 additional wet rooms	100% variable	0.75	85
Kitchen + 6 additional wet rooms	100% variable	0.87	84
Kitchen + 7 additional wet rooms	100% variable	1.03	83

Figures taken from the BRE Test Results

*Number of wet rooms is based on SAP Q test criteria and does not correlate directly with regulatory performance requirements.

Nominal fan performance



*@FID (0 Pa)
 All units offer 100% variable speed control.
 Performance curves for Eco version.