



For use in medium to large sized dwellings

The enhanced capacity HRV2 Q Plus continuously running whole-house ventilation unit with heat recovery is independently tested by the BRE. The HRV2 Q Plus MVHR unit gives cutting edge performance usually only associated with much larger and more costly products.

The combination of very low power consumption and a highly efficient heat exchanger is specifically designed to enhance SAP performance via Appendix Q, yet small enough to be easily incorporated into medium sized dwellings.

The Eco versions offer a 100% airflow diverting Summer Bypass, recognised and listed in the UK Product Characteristics Database. They also include intelligent humidity options and can be fitted with the auralite® status indicator (HMB and B models) or the auramode®, aurastat® or aura-t™ controllers (B models only).



Eco HMB Version



Eco B Version



aurastat®



auralite®



auramode®



aura-t™

Features & Benefits

- Compact unit
- Extremely low Specific Fan Power; down to 0.56 W/l/s (Eco version)
- Highly efficient heat exchanger; up to 90%
- Airflow up to 88 l/s (318m³/h) at 100 Pa
- Lightweight for easy handling
- Intelligent controller, quick and easy to commission
- Constant volume fans
- Accepts 150mm diameter ducting, no adaptors required
- Independent fan adjustment
- Intelligent frost protection, stepped reduction of supply air rates prevents HRV unit from freezing
- Enthaply Heat Cell option available
- Setback facility to reduce ventilation where local regulations allow
- Fully adjustable boost overrun timer 0-60 minutes; can be used with nonlatching (momentary) switches to prevent unit from being accidentally left in boost mode
- Volt free switching control
- Re-usable plastic filter frames
- Quick fix mounting bracket
- Patented
- ISO Coarse 55% (G3) filters as standard, ISO Coarse 60% (G4) as an option.
- Effective in reducing pollutants in the home and improving Indoor Air Quality (IAQ), therefore reducing the risk of Toxic Home Syndrome

Basic version:

- Summer mode

Eco Versions:

- Intelligent Summer Bypass & humidity controls
- SUMMERboost® facility

Eco HMB Models:

- Compatible with auralite® (TP518) status indicator
- Quick access filter doors as standard

Eco B Models:

- Compatible with Eco-aura range; aurastat® auramode® and aura-t™ controllers and auralite® (TP519) status indicator.
- Duct heater control (requires independent power supply)
- Available in left and right handed configurations
- BMS compatible via RS485

Product Codes

HRV2 Q Plus -
TP401A - Energy Rating A

HRV2 Q Plus HMB Eco auralite® ready -
TP401HMB - Energy Rating A

HRV2 Q Plus B Eco-aura controls ready -
TP411B/LH (left hand config) or
TP411B/RH (right hand config) - Energy Rating A+

Filters:

XP40132/099 - ISO Coarse 55% (G3) filters fitted as standard (UK only).

XP46122/099 - ISO Coarse 60% (G4) filters fitted on request. (Europe fitted as standard).

Filters (Eco Versions):

XP40133/099 - ISO Coarse 55% (G3) filters fitted as standard (UK only).

XP46133/099 - ISO Coarse 60% (G4) filters fitted on request (Europe fitted as standard).

XP46222/099 - ISO Coarse 55% (G3)/ISO ePM1 55% (F7) filters available on request.

XP46232/099 - ISO Coarse 60% (G4) filters/ISO ePM1 55% (F7) filters available on request.

Standards

Conforms to requirements of UK statutory Building Regulations and Technical Standards for Ventilation and BRE 398.

SAP Appendix Q tested
 (http://www.ncm-pcdb.org.uk/sap/pcdbsearch.jsp?pid=34)

Exceeds requirements of Building Regulations Approved Document L (England & Wales).

EU RoHS Directive compliant.

Conforms to requirements of EC council directives relating to Electromagnetic Compatibility and Electrical Safety:
 2006/95/EC (LVD), 2004/108/EC (EMC)
 EN 60335-1:2002/A2:2006, EN 60335-2- 80:2003/A1:2004.

CE Marked.

Specification

Dimensions: 715mm wide x 490mm high (excluding ports) x 415mm deep (426mm with mounting bracket)

Weight: 24kg

Finish: White Paint

Materials:

Housing: Zintec sheet steel housing, powder coated white

Internals: Expanded polypropylene (EPP)

Heat exchanger: Polystyrene

Internal insulation: Closed cell foamed

Nitrile rubber, class 'O' fire rating

Standard filters: Grade ISO Coarse 55% (G3) synthetic filters.

Guarantee period: 3 years (UK only)

Electrical: 230V ~ 50/60Hz, 3A fuse

Installation: Install in accordance with regulatory requirements, such as the Domestic Ventilation Compliance Guide (England & Wales) and the Residential Ventilation Association recommendations.

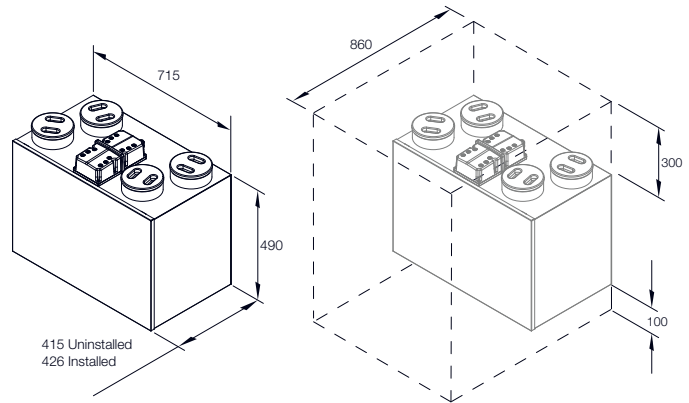
Maintenance: Service and filter clean/replacement subject to local environment - see product manual.

Acoustic Data

Product	% of Max flow	Airflow	dB(A) @ 3m Hemispherical			dB(A) @ 3m Spherical
			Induct Inlet	Induct Outlet	Casing Breakout	Casing Breakout
HRV2 Q Plus Eco	33%	27l/s @ 8Pa	20	33	16	13
	70%	57l/s @ 56Pa	35	51	32	29
	100%	81l/s @ 100Pa	41	56	37	34

For full frequency acoustic data at various speeds please see www.titon.co.uk. All acoustic data is third party tested at Sound Research Laboratories (SRL) Ltd.

Drawing & Dimensions



Performance

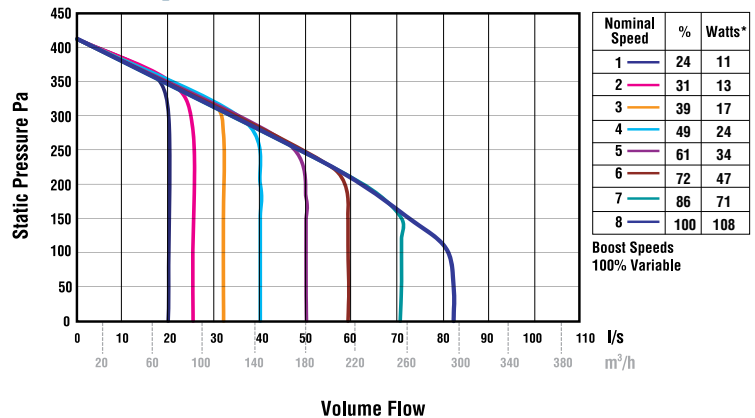
The figures and compliance levels below relate to current SAP requirements. Revised SAP guidance will have an effect on performance and up-to-date figures can be found on the relevant product page at www.titon.co.uk.

Exhaust terminal configuration*	Fan speed setting	Specific fan power (W/l/s)	Heat exchange efficiency (%)
Kitchen + 2 additional wet rooms	100% variable	0.56	90
Kitchen + 3 additional wet rooms	100% variable	0.62	90
Kitchen + 4 additional wet rooms	100% variable	0.70	89
Kitchen + 5 additional wet rooms	100% variable	0.79	89
Kitchen + 6 additional wet rooms	100% variable	0.91	88
Kitchen + 7 additional wet rooms	100% variable	1.07	87

Figures taken from the BRE Test Results

*Number of wet rooms is based on SAP Q test criteria and does not correlate directly with regulatory performance requirements.

Nominal fan performance



*@FID (0 Pa)
 All units offer 100% variable speed control.
 Performance curves for Eco version.