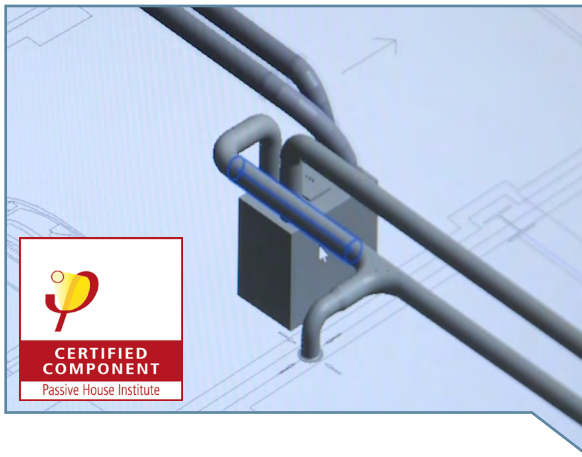


# HRV3 PH ECOaura - Passivhaus

## Ultra energy efficient Heat Recovery Ventilation unit



### For use in large dwellings

Suitable for larger dwellings, the HRV3 PH ECOaura continuously running whole-house ventilation unit with heat recovery is independently tested and is Passivhaus certified. The HRV3 PH ECOaura gives cutting edge performance usually only associated with much larger and more costly products.

The combination of very low power consumption and a highly efficient heat exchanger is specifically designed to enhance performance, yet small enough to be easily incorporated into medium sized dwellings.

Our HRV3 PH ECOaura has 100% airflow diverting Summer Bypass functionality that offers intelligent humidity options and is fitted with either our aurastat® or aura-t™ controllers.



### Features & Benefits

- Tested and approved by Passive House to meet their high certification standards
- Extremely low Specific electric power; down to 0.40 Wh/m<sup>3</sup>
- Constant volume fans
- Highly efficient heat exchanger; up to 86%
- Airflow up to 379m<sup>3</sup>/h at 100 Pa
- Intelligent controller, quick and easy to commission
- Fully adjustable boost overrun timer 0-60 minutes; use with nonlatching (momentary) switches to prevent unit from being accidentally left in boost mode
- Accepts 150mm diameter ducting, no adaptors required
- Intelligent frost protection
- Setback facility to reduce ventilation where local regulations allow
- Lightweight for easy handling
- Volt free switching control
- Re-usable plastic filter frames
- Quick fix mounting bracket
- Patented
- Independent fan adjustment
- Effective in reducing pollutants in the home and improving Indoor Air Quality (IAQ), therefore reducing toxic home syndrome
- Compatible with Eco-aura controllers; aurastat® and aura-t™
- Duct heater control
- Available in left and right handed configurations
- BMS compatible via RS485



Passive House is a recognised standard for highly efficient products and low energy buildings.

## Product Codes

\*HRV3 PH ECOaura - **TP412B PH**  
aura-t™ touch screen controller - **TP536**

Duct Heater

**EKA-NV160-1.5** – Ø160mm 1.5kW electric duct heater with temperature control, including remote duct temperature sensor

**EKA-NV150-1.5** – Ø150mm 1.5kW electric duct heater with temperature control, including remote duct temperature sensor

Filters:

**XP46232/099** - ISO Coarse 60% (G4) filters/ISO ePM1 55% (F7) filters available on request.

\*Controller and Duct Heater need to be purchased with HRV3 PH ECOaura to make it fully Passivhaus compliant.

## Standards

Certified Passive House Component (Component-ID 1182vs03)  
Conforms to requirements of UK statutory Building Regulations and Technical Standards for Ventilation and BRE 398.

Exceeds requirements of Building Regulations Approved Document L (England & Wales).

EU RoHS Directive compliant.

Conforms to requirements of EC council directives relating to Electromagnetic Compatibility and Electrical Safety:

2006/95/EC (LVD), 2004/108/EC (EMC)

EN 60335-1:2002/A2:2006, EN 60335-2- 80:2003/A1:2004.

CE Marked.

## Specification

**Dimensions:** 715mm wide x 490mm high (excluding ports) x 415mm deep (426mm with mounting bracket)

**Weight:** 24.5kg

**Finish:** White Paint

**Materials:**

Housing: Zintec sheet steel housing, powder coated white

Internals: Expanded polypropylene (EPP)

Heat exchanger: Polystyrene

Internal insulation: Closed cell foamed Nitrile rubber, class 'O' fire rating

Standard filters: ISO ePM1 55% (F7) pleated panel on supply, ISO Coarse 60% (G4) synthetic on extract

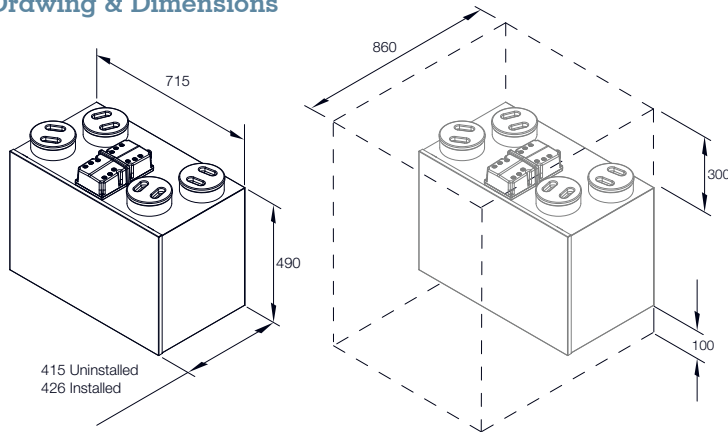
**Guarantee period:** 3 years (UK only)

**Electrical:** 230V ~ 50/60Hz, 5A fuse

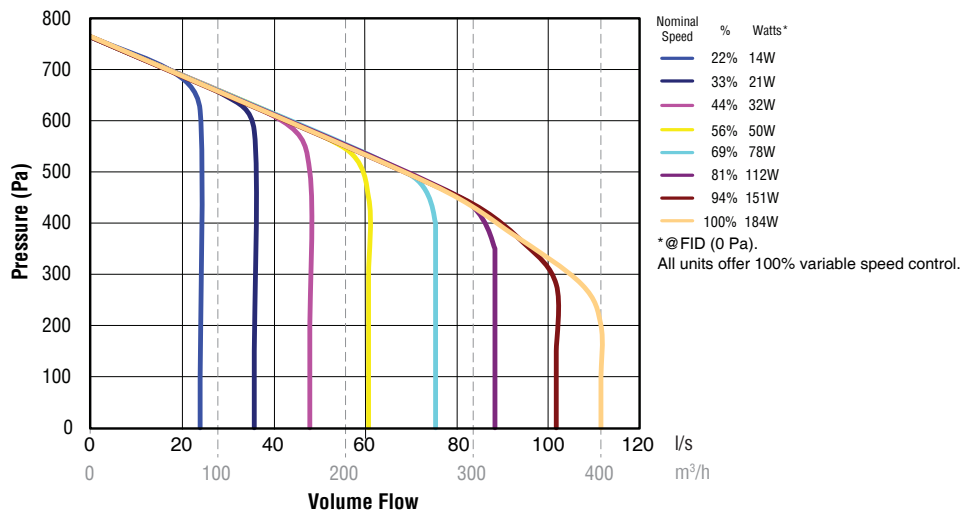
**Installation:** Install in accordance with regulatory requirements, such as the Domestic Ventilation Compliance Guide (England & Wales) and the Residential Ventilation Association recommendations.

**Maintenance:** Service and filter clean/replacement subject to local environment - see product manual.

## Drawing & Dimensions



## Performance



## Acoustic Data

Product	% of Max flow	Airflow	dB(A) @ 3m Hemispherical			dB(A) @ 3m Spherical
			Induct Inlet	Induct Outlet	Casing Breakout	Casing Breakout
HRV3 PH ECOaura	33%	36l/s @ 10Pa	25	35	21	18
	68%	73l/s @ 48Pa	36	49	29	26
	100%	108l/s @ 100Pa	45	57	37	34

Note: Data for HRV3 with ISO Coarse 60% (G4) Filters

For full frequency acoustic data at various speeds please see [www.titon.co.uk](http://www.titon.co.uk). All acoustic data is third party tested at Sound Research Laboratories (SRL) Ltd.