



Air Conditioning Technical Data



EEDEN15-100

RXS-L3

TABLE OF CONTENTS

RXS-L3

1	Features	2
2	Specifications	3
	Capacity and Power input	3
	Capacity and Power input	4
	Capacity and Power input	5
	Capacity and Power input	6
	Capacity and Power input	6
	Capacity and Power input	7
	Capacity and Power input	8
	Capacity and Power input	9
	Capacity and Power input	10
	Capacity and Power input	11
	Capacity and Power input	11
	Technical Specifications	12
	Electrical Specifications	13
3	Electrical data	15
4	Capacity tables	17
	Cooling/Heating Capacity Tables	17
5	Dimensional drawings	34
6	Centre of gravity	35
7	Piping diagrams	36
8	Wiring diagrams	37
	Wiring Diagrams - Single Phase	37
9	Sound data	38
	Sound Pressure Spectrum	38
10	Operation range	39

1 Features

- Outdoor units for pair application
- Daikin outdoor units are neat, sturdy and can easily be mounted on a roof or terrace or simply placed against an outside wall
- Outdoor units are fitted with a swing compressor, renowned for its low noise and high energy efficiency
- Anti-corrosion treated outdoor heat exchanger fin
- Outdoor unit silent operation: "silent" button on the remote control lowers the operation sound of the outdoor unit by 3dBA to ensure a quiet environment for the neighbourhood.
- Energy saving during standby mode: reduces current consumption by about 80% when operating in standby. If no people are detected for more than 20 minutes, the system will automatically switch to the current-saving mode.



Energy saving during standby mode



Powerful mode



Auto cooling-heating changeover



Outdoor unit silent operation

2 Specifications

2-1 Capacity and Power input				FTXS20K/RXS20L3	FTXS25K/RXS25L3	FTXS35K/RXS35L3
Indoor unit				FTXS20K	FTXS25K	FTXS35K
Outdoor unit				RXS20L3	RXS25L3	RXS35L3
Cooling capacity	Min.	kW		-		1.4
		Btu/h		4,400		4,800
		kcal/h		1,120		1,200
	Nom.	kW		2.00 (1)	2.5 (1)	3.5 (1)
		Btu/h		6,800 (1)	8,500 (1)	11,900 (1)
		kcal/h		1,720 (1)	2,150 (1)	3,010 (1)
	Max.	kW		-		4.0
		Btu/h		9,600	10,900	13,600
		kcal/h		2,410	2,750	3,440
Heating capacity	Min.	kW		1.3		1.4
		Btu/h		4,400		4,800
		kcal/h		1,120		1,200
	Nom.	kW		2.5 (1)	2.8 (1)	4.00 (1)
		Btu/h		8,500 (1)	9,600 (1)	13,600 (1)
		kcal/h		2,150 (1)	2,410 (1)	3,440 (1)
	Max.	kW		4.3	4.7	5.2
		Btu/h		14,700	16,000	17,700
		kcal/h		3,700	4,040	4,470
Power input	Cooling	Min.	kW	0.320		0.350
		Nom.	kW	0.455 (1)	0.593 (1)	0.860 (1)
		Max.	kW	0.760	1.000	1.190
	Heating	Min.	kW	0.310		0.340
		Nom.	kW	0.530 (1)	0.600 (1)	0.840 (1)
		Max.	kW	1.120	1.410	1.460
Seasonal efficiency (according to EN14825)	Cooling	Energy label		A++		
		Pdesign	kW	2.00	2.50	3.50
		SEER		7.40	7.90	7.47
		Annual energy consumption		kWh	95	111
	Heating (Average climate)	Energy label		A++		
		Pdesign	kW	2.30	2.50	3.60
		SCOP		4.77	4.78	4.85
		Annual energy consumption		kWh	675	732
Piping connections	Liquid	OD	mm	6.35		
	Gas	OD	mm	9.5		
	Drain	OD	mm	18		
	Heat insulation			Both liquid and gas pipes		
Current	Nominal running current (RLA) - 50Hz	Cooling	A	2.54 (2) / 2.43 (3) / 2.33 (4)	3.33 (2) / 3.23 (3) / 3.12 (4)	4.60 (2) / 4.39 (3) / 4.18 (4)
		Heating	A	2.80 (2) / 2.70 (3) / 2.60 (4)	3.30 (2) / 3.20 (3) / 3.10 (4)	4.30 (2) / 4.10 (3) / 3.90 (4)
Nominal efficiency	EER			4.39 (5)	4.21 (5)	3.89 (5)
	COP			4.72 (5)	4.67 (5)	4.76 (5)
	Annual energy consumption		kWh	228	297	450
	Energy label	Cooling			A	
		Heating			A	

Notes

(1) Nominal efficiency: cooling at 35°/27° nominal load, heating at 7°/20° nominal load

(2) 220V

(3) 230V

(4) 240V

(5) EER/COP according to Eurovent 2012, for use outside EU only

2 Specifications

2-2 Capacity and Power input				FVXS25F/RXS25L3	FVXS35F/RXS35L3
Indoor unit				FVXS25F	FVXS35F
Outdoor unit				RXS25L3	RXS35L3
Cooling capacity	Min.	kW	1.3	1.4	
		Btu/h	4,400	4,800	
		kcal/h	1,120	1,200	
	Nom.	kW	2.5 (1)	3.5 (1)	
		Btu/h	8,500 (1)	11,900 (1)	
		kcal/h	2,150 (1)	3,010 (1)	
	Max.	kW	3.0	3.8	
		Btu/h	10,200	13,000	
		kcal/h	2,580	3,270	
Heating capacity	Min.	kW	1.3	1.4	
		Btu/h	4,400	4,800	
		kcal/h	1,120	1,200	
	Nom.	kW	3.4 (1)	4.5 (1)	
		Btu/h	11,600 (1)	15,400 (1)	
		kcal/h	2,920 (1)	3,870 (1)	
	Max.	kW	4.5	5.0	
		Btu/h	15,400	17,100	
		kcal/h	3,870	4,300	
Power input	Cooling	Min.	0.300		
		Nom.	0.606 (1)	1.060 (1)	
		Max.	0.920	1.250	
	Heating	Min.	0.290	0.310	
		Nom.	0.770 (1)	1.190 (1)	
		Max.	1.390	1.880	
Seasonal efficiency (according to EN14825)	Cooling	Energy label		A+	
		Pdesign	kW	2.50	3.50
		SEER		5.74	5.60
		Annual energy consumption	kWh	152	219
	Heating (Average climate)	Energy label		A+	A
		Pdesign	kW	2.60	2.90
		SCOP		4.56	3.93
		Annual energy consumption	kWh	798	1,033
Piping connections	Liquid	OD	mm	6.35	
	Gas	OD	mm	9.5	
	Drain	OD	mm	20.0	
	Heat insulation			Both liquid and gas pipes	
Current	Nominal running current (RLA) - 50Hz	Cooling	A	3.72 (2) / 3.51 (3) / 3.40 (4)	5.09 (2) / 4.88 (3) / 4.68 (4)
		Heating	A	4.50 (2) / 4.30 (3) / 4.10 (4)	5.90 (2) / 5.60 (3) / 5.40 (4)
Nominal efficiency	EER			4.12 (5)	3.30 (5)
	COP			4.42 (5)	3.78 (5)
	Annual energy consumption		kWh	303	530
	Energy label	Cooling			A
		Heating			A

Notes

(1) Nominal efficiency: cooling at 35°/27° nominal load, heating at 7°/20° nominal load

(2) 220V

(3) 230V

(4) 240V

(5) EER/COP according to Eurovent 2012, for use outside EU only

2 Specifications

2-3 Capacity and Power input				FLXS25B/RXS25L3
Indoor unit				FLXS25B
Outdoor unit				RXS25L3
Cooling capacity	Min.		kW	1.2
			Btu/h	4,100
			kcal/h	1,030
	Nom.		kW	2.5 (1)
			Btu/h	8,500 (1)
			kcal/h	2,150 (1)
	Max.		kW	3.0
			Btu/h	10,200
			kcal/h	2,580
Heating capacity	Min.		kW	1.2
			Btu/h	4,100
			kcal/h	1,030
	Nom.		kW	3.4 (1)
			Btu/h	11,600 (1)
			kcal/h	2,920 (1)
	Max.		kW	4.5
			Btu/h	15,400
			kcal/h	3,870
Power input	Cooling	Min.	kW	0.300
		Nom.	kW	0.668 (1)
		Max.	kW	0.860
	Heating	Min.	kW	0.290
		Nom.	kW	0.960 (1)
		Max.	kW	1.490
Seasonal efficiency (according to EN14825)	Cooling	Energy label		A
		Pdesign	kW	2.50
		SEER		5.19
		Annual energy consumption	kWh	169
	Heating (Average climate)	Energy label		A
		Pdesign	kW	2.50
		SCOP		3.80
		Annual energy consumption	kWh	921
Piping connections	Liquid	OD	mm	6.35
	Gas	OD	mm	9.5
	Drain	OD	mm	18.0
	Heat insulation			Both liquid and gas pipes
Current	Nominal running current (RLA) - 50Hz	Cooling	A	3.80 (2) / 3.70 (3) / 3.49 (4)
		Heating	A	4.70 (2) / 4.50 (3) / 4.30 (4)
Nominal efficiency	EER			3.74 (5)
	COP			3.54 (5)
	Annual energy consumption		kWh	334
	Energy label	Cooling		A
		Heating		B

Notes

- (1) Nominal efficiency: cooling at 35°/27° nominal load, heating at 7°/20° nominal load
- (2) 220V
- (3) 230V
- (4) 240V
- (5) EER/COP according to Eurovent 2012, for use outside EU only

2 Specifications

2

2-4 Capacity and Power input				FLXS35B9/RXS35L3	
Indoor unit				FLXS35B9	
Outdoor unit				RXS35L3	
Cooling capacity	Min.	Btu/h		4,100	
		kcal/h		1,030	
	Nom.	kW		3.5 (1)	
		Btu/h		11,900 (1)	
		kcal/h		3,010 (1)	
	Max.	Btu/h		13,000	
kcal/h			3,270		
Heating capacity	Min.	kW		1.4	
		Btu/h		4,100	
		kcal/h		1,030	
	Nom.	kW		4.0 (1)	
		Btu/h		13,600 (1)	
		kcal/h		3,440 (1)	
Max.	kW		5.0		
	Btu/h		17,100		
	kcal/h		4,300		
Power input	Cooling	Min.	kW	0.300	
		Nom.	kW	1.215 (1)	
		Max.	kW	1.260	
	Heating	Min.	kW	0.290	
		Nom.	kW	1.120 (1)	
		Max.	kW	1.850	
Seasonal efficiency (according to EN14825)	Cooling	Energy label		B	
		Pdesign	kW	3.50	
		SEER		4.87	
		Annual energy consumption	kWh	252	
	Heating (Average climate)	Energy label		A	
		Pdesign	kW	2.90	
		SCOP		3.80	
		Annual energy consumption	kWh	1,068	
Piping connections	Liquid	OD	mm	6.35	
	Gas	OD	mm	9.5	
	Drain	OD	mm	18.0	
	Heat insulation			Both liquid and gas pipes	
Current	Nominal running current (RLA) - 50Hz	Cooling	A	5.70 (2) / 5.49 (3) / 5.27 (4)	
		Heating	A	5.60 (2) / 5.30 (3) / 5.10 (4)	
Nominal efficiency	EER			2.88 (5)	
	COP			3.57 (5)	
	Annual energy consumption		kWh	608	
	Energy label	Cooling			B
		Heating			A

Notes

(1) Nominal efficiency: cooling at 35°/27° nominal load, heating at 7°/20° nominal load

(2) 220V

(3) 230V

(4) 240V

(5) EER/COP according to Eurovent 2012, for use outside EU only

2-5 Capacity and Power input	FDXS25F/RXS25L3	FDXS35F/RXS35L3
Indoor unit	FDXS25F	FDXS35F
Outdoor unit	RXS25L3	RXS35L3

2 Specifications

2-5 Capacity and Power input				FDXS25F/RXS25L3	FDXS35F/RXS35L3
Cooling capacity	Min.		kW	1.3	1.4
			Btu/h	4,400	4,800
			kcal/h	1,110	1,200
	Nom.		kW	2.4 (1)	3.4 (1)
			Btu/h	8,150 (1)	11,500 (1)
			kcal/h	2,060 (1)	2,920 (1)
	Max.		kW	3.0	3.8
			Btu/h	10,200	13,000
			kcal/h	2,580	3,260
Heating capacity	Min.		kW	1.3	1.4
			Btu/h	4,400	4,800
			kcal/h	1,110	1,200
	Nom.		kW	3.2 (1)	4.0 (1)
			Btu/h	10,900 (1)	13,600 (1)
			kcal/h	2,750 (1)	3,440 (1)
	Max.		kW	4.5	5.0
			Btu/h	15,350	17,100
			kcal/h	3,870	4,300
Power input	Cooling	Nom.	kW	0.641 (1)	1.148 (1)
	Heating	Nom.	kW	0.800 (1)	1.150 (1)
Seasonal efficiency (according to EN14825)	Cooling	Energy label		A+	A
		Pdesign	kW	2.40	3.40
		SEER		5.63	5.21
		Annual energy consumption	kWh	149	228
	Heating (Average climate)	Energy label		A+	A
		Pdesign	kW	2.60	2.90
		SCOP		4.24	3.88
		Annual energy consumption	kWh	858	1,047
Piping connections	Liquid	OD	mm	6.35	
	Gas	OD	mm	9.5	
	Drain	OD	mm	VP20 (External dia.26 / Internal dia. 20)	
	Heat insulation			Both liquid and gas pipes	
Current	Nominal running current (RLA) - 50Hz	Cooling	A	3.85	5.31
		Heating	A	4.20	5.40
Nominal efficiency	EER			3.74 (2)	2.96 (2)
	COP			4.00 (2)	3.48 (2)
	Annual energy consumption		kWh	321	574
	Energy label	Cooling		A	B
		Heating		A	

Notes

(1) Nominal efficiency: cooling at 35°/27° nominal load, heating at 7°/20° nominal load

(2) EER/COP according to Eurovent 2012, for use outside EU only

2-6 Capacity and Power input				FCQG35F/RXS35L3	
Indoor unit				FCQG35F	
Outdoor unit				RXS35L3	
Cooling capacity	Min.		kW	1.3	
			Btu/h	4,430	
			kcal/h	1,120	
	Nom.		kW	3.4 (1)	
			Btu/h	11,590 (1)	
			kcal/h	2,920 (1)	
	Max.		kW	4.0	
			Btu/h	13,640	
			kcal/h	3,440	

2 Specifications

2

2-6 Capacity and Power input				FCQG35F/RXS35L3
Heating capacity	Min.	kW		1.3
		Btu/h		4,430
		kcal/h		1,120
	Nom.	kW		4.20 (1)
		Btu/h		14,320 (1)
		kcal/h		3,610 (1)
	Max.	kW		5.2
		Btu/h		17,730
		kcal/h		4,470
Power input	Cooling	Min.	kW	0.400
		Nom.	kW	0.909 (1)
		Max.	kW	1.100
	Heating	Min.	kW	0.230
		Nom.	kW	1.200 (1)
		Max.	kW	1.840
Seasonal efficiency (according to EN14825)	Cooling	Energy label		A++
		Pdesign	kW	3.50
		SEER		6.35
		Annual energy consumption	kWh	193
	Heating (Average climate)	Energy label		A++
		Pdesign	kW	3.32
		SCOP		4.90
		Annual energy consumption	kWh	949
Piping connections	Liquid	OD	mm	6.35
	Gas	OD	mm	9.5
	Drain	OD	mm	VP25 (External dia.32 / internal dia. 25)
	Heat insulation			Both liquid and gas pipes
Current	Nominal running current (RLA) - 50Hz	Cooling	A	4.02 (2) / 3.83 (3) / 3.64 (4)
		Heating	A	5.40 (2) / 5.10 (3) / 4.90 (4)
Nominal efficiency	EER			3.74 (5)
	COP			3.50 (5)
	Annual energy consumption		kWh	455
	Energy label	Cooling		A
		Heating		B

Notes

(1) Nominal efficiency: cooling at 35°/27° nominal load, heating at 7°/20° nominal load

(2) 220V

(3) 230V

(4) 240V

(5) EER/COP according to Eurovent 2012, for use outside EU only

2-7 Capacity and Power input				FFQ25C/RXS25L3	FFQ35C/RXS35L3
Indoor unit				FFQ25C	FFQ35C
Outdoor unit				RXS25L3	RXS35L3
Cooling capacity	Min.	kW		1.4	
		Btu/h		4,770	
		kcal/h		1,200	
	Nom.	kW		2.50 (1)	3.4 (1)
		Btu/h		8,530 (1)	11,590 (1)
		kcal/h		2,150 (1)	2,920 (1)
	Max.	kW		4.0	
		Btu/h		13,640	
		kcal/h		3,440	3,440.0

2 Specifications

2-7 Capacity and Power input				FFQ25C/RXS25L3		FFQ35C/RXS35L3		
Heating capacity	Min.		kW	1.3				
			Btu/h	4,430				
			kcal/h	1,120				
	Nom.		kW	3.20 (1)			4.20 (1)	
			Btu/h	10,920 (1)			14,320 (1)	
			kcal/h	2,750 (1)			3,610 (1)	
	Max.		kW	5.1				
			Btu/h	17,390				
			kcal/h	4,380				
Power input	Cooling	Min.	kW	0.360				
		Nom.	kW	0.551 (1)			0.899 (1)	
		Max.	kW	1.470				
	Heating	Min.	kW	0.300				
		Nom.	kW	0.820 (1)			1.200 (1)	
		Max.	kW	1.650				
Seasonal efficiency (according to EN14825)	Cooling	Energy label		A++				
		Pdesign	kW	2.50			3.40	
		SEER		6.11			6.32	
		Annual energy consumption	kWh	143			188	
	Heating (Average climate)	Energy label		A+				
		Pdesign	kW	2.31			3.10	
		SCOP		4.24			4.10	
		Annual energy consumption	kWh	763			1,059	
Piping connections	Liquid	OD	mm	6.35				
	Gas	OD	mm	9.5				
	Drain	OD	mm	VP20 (External dia.26 / Internal dia. 20)				
	Heat insulation			Both liquid and gas pipes				
Current	Nominal running current (RLA) - 50Hz	Cooling	A	4.13 (2) / 3.94 (3) / 3.74 (4)		4.10 (2) / 3.91 (3) / 3.71 (4)		
		Heating	A	5.60 (2) / 5.40 (3) / 5.10 (4)				
Nominal efficiency	EER			4.53 (5)		3.78 (5)		
	COP			3.90 (5)		3.50 (5)		
	Annual energy consumption		kWh	276		450		
	Energy label	Cooling			A			
		Heating			A			

Notes

(1) Nominal efficiency: cooling at 35°/27° nominal load, heating at 7°/20° nominal load

(2) 220V

(3) 230V

(4) 240V

(5) EER/COP according to Eurovent 2012, for use outside EU only

2-8 Capacity and Power input				FBQ35D/RXS35L3			
Indoor unit				FBQ35D			
Outdoor unit				RXS35L3			
Cooling capacity	Nom.		kW	3.4 (1)			
Heating capacity	Nom.		kW	4.00 (1)			
Power input	Cooling	Nom.	kW	0.85 (1)			
	Heating	Nom.	kW	1.00 (1)			

2 Specifications

2

2-8 Capacity and Power input			FBQ35D/RXS35L3	
Seasonal efficiency (according to EN14825)	Cooling	Energy label		A++
		Pdesign	kW	3.40
		SEER		6.17
		Annual energy consumption	kWh	193
	Heating (Average climate)	Energy label		A+
		Pdesign	kW	2.90
		SCOP		4.07
		Annual energy consumption	kWh	998
Nominal efficiency	EER		3.99 (2)	
	COP		4.02 (2)	
	Annual energy consumption	kWh	426	
	Energy label	Cooling	A	
		Heating	A	

Notes

(1) Nominal efficiency: cooling at 35°/27° nominal load, heating at 7°/20° nominal load

(2) EER/COP according to Eurovent 2012, for use outside EU only

2-9 Capacity and Power input			FHQ35C/RXS35L3	
Indoor unit			FHQ35C	
Outdoor unit			RXS35L3	
Cooling capacity	Min.	kW	1.4	
		Btu/h	4,770	
		kcal/h	1,200	
	Nom.	kW	3.40 (1)	
		Btu/h	11,590 (1)	
		kcal/h	2,920 (1)	
	Max.	kW	4.0	
		Btu/h	13,640	
		kcal/h	3,440	
Heating capacity	Min.	kW	1.3	
		Btu/h	4,430	
		kcal/h	1,120	
	Nom.	kW	4.00 (1)	
		Btu/h	13,640 (1)	
		kcal/h	3,440 (1)	
	Max.	kW	5.1	
		Btu/h	17,390	
		kcal/h	4,380	
Power input	Cooling	Min.	kW	0.410
		Nom.	kW	0.950 (1)
		Max.	kW	1.490
	Heating	Min.	kW	0.270
		Nom.	kW	0.980 (1)
		Max.	kW	1.980
Seasonal efficiency (according to EN14825)	Cooling	Energy label		A++
		Pdesign	kW	3.40
		SEER		6.18
		Annual energy consumption	kWh	193
	Heating (Average climate)	Energy label		A+
		Pdesign	kW	3.10
		SCOP		4.43
		Annual energy consumption	kWh	981

2 Specifications

2-9 Capacity and Power input				FHQ35C/RXS35L3
Piping connections	Liquid	OD	mm	6.35
	Gas	OD	mm	9.5
	Drain	OD	mm	VP20
	Heat insulation			Both liquid and gas pipes
Current	Nominal running current (RLA) - 50Hz	Cooling	A	4.3 (2) / 4.1 (3) / 4.0 (4)
		Heating	A	4.5 (2) / 4.3 (3) / 4.1 (4)
Nominal efficiency	EER			3.58 (5)
	COP			4.08 (5)
	Annual energy consumption		kWh	475
	Energy label	Cooling		A
Heating		A		

Notes

(1) Nominal efficiency: cooling at 35°/27° nominal load, heating at 7°/20° nominal load

(2) 220V

(3) 230V

(4) 240V

(5) EER/COP according to Eurovent 2012, for use outside EU only

2-10 Capacity and Power input				FNQ25A/RXS25L3	FNQ35A/RXS35L3
Cooling capacity	Nom.		kW	2.6	3.4
Heating capacity	Nom.		kW	3.20	4.00
Power input	Cooling	Nom.	kW	0.69	1.11
	Heating	Nom.	kW	0.80	1.15
Seasonal efficiency (according to EN14825)	Cooling	Energy label		A+	
		Pdesign	kW	2.60	3.40
		SEER		5.63	5.65
		Annual energy consumption	kWh	162	211
	Heating (Average climate)	Energy label		A+	
		Pdesign	kW	2.80	2.90
		SCOP		4.24	4.05
		Annual energy consumption	kWh	925	1,002
Nominal efficiency	EER			3.77 (1)	3.06 (1)
	COP			4.00 (1)	3.48 (1)
	Annual energy consumption		kWh	345	556
	Energy label	Cooling		A	B
Heating		A	B		

Notes

(1) EER/COP according to Eurovent 2012, for use outside EU only

Nominal efficiency: cooling at 35°/27° nominal load, heating at 7°/20° nominal load

2-11 Capacity and Power input				FBQ35C8/RXS35L3
Indoor unit			FBQ35C8	
Outdoor unit			RXS35L3	
Cooling capacity	Min.	kW		1.4
		Btu/h		4,770
		kcal/h		1,200
	Nom.	kW		3.40 (1)
		Btu/h		11,590 (1)
		kcal/h		2,920 (1)
	Max.	kW		3.9
		Btu/h		13,300
		kcal/h		3,350

2 Specifications

2

2-11 Capacity and Power input				FBQ35C8/RXS35L3
Heating capacity	Min.		kW	1.3
			Btu/h	4,430
			kcal/h	1,120
	Nom.		kW	4.00 (1)
			Btu/h	13,640 (1)
			kcal/h	3,440 (1)
	Max.		kW	5.0
			Btu/h	17,050
			kcal/h	4,300
Power input	Cooling	Min.	kW	0.490
		Nom.	kW	0.918 (1)
		Max.	kW	1.490
	Heating	Min.	kW	0.270
		Nom.	kW	1.110 (1)
		Max.	kW	1.760
Seasonal efficiency (according to EN14825)	Cooling	Energy label		A+
		Pdesign	kW	3.50
		SEER		5.97
		Annual energy consumption	kWh	205
	Heating (Average climate)	Energy label		A+
		Pdesign	kW	2.90
		SCOP		3.93
		Annual energy consumption	kWh	1,033
Piping connections	Liquid	OD	mm	6.35
	Gas	OD	mm	9.5
	Drain	OD	mm	VP25 (External dia.32 / internal dia. 25)
	Heat insulation			Both liquid and gas pipes
Current	Nominal running current (RLA) - 50Hz	Cooling	A	4.16 (2) / 3.98 (3) / 3.81 (4)
		Heating	A	5.20 (2) / 5.00 (3) / 4.80 (4)
Nominal efficiency	EER			3.70
	COP			3.60
	Annual energy consumption		kWh	459
	Energy label	Cooling		A
		Heating		B

Notes

(1) Nominal efficiency: cooling at 35°/27° nominal load, heating at 7°/20° nominal load

(2) 220V

(3) 230V

(4) 240V

EER/COP according to Eurovent 2012, for use outside EU only

2-12 Technical Specifications				RXS20L3	RXS25L3	RXS35L3
Capacity control	Method			Inverter controlled		
Casing	Colour			Ivory white		
Dimensions	Unit	Height	mm	550		
		Width	mm	765		
		Depth	mm	285		
	Packed unit	Height	mm	612		
		Width	mm	906		
		Depth	mm	364		
Weight	Unit		kg	34		
	Packed unit		kg	37		
Packing	Weight		kg	3		

2 Specifications

2-12 Technical Specifications					RXS20L3	RXS25L3	RXS35L3	
Heat exchanger	Length		mm		805			
	Rows	Quantity		2				
	Fin pitch		mm		1.4			
	Stages	Quantity		24				
	Tube type		ø7 Hi-XD					
	Fin	Type		Waffle louvered fin				
Compressor	Model				1YC23AWXDC			
	Type				Hermetically sealed swing compressor			
	Output		W		600			
Fan	Type				Propeller fan			
	Air flow rate	Cooling	High	m ³ /min	33.5		36.0	
				cfm	1,183		1,271	
			Super low	m ³ /min	30.1			
		Heating	High	m ³ /min	28.3			
				cfm	999			
			Super low	m ³ /min	25.6			
cfm		904						
Fan motor	Model				ARW34W8P50DA			
	Output		W		50			
	Speed	Cooling	High	rpm	860		920	
				Super low	rpm	780		
		Heating	High	rpm	860			
				Super low	rpm	740		
Sound power level	Cooling		dBA		59		61	
	Heating		dBA		58	59	61	
Sound pressure level	Cooling	High	dBA		46		48	
		Silent operation	dBA		43		44	
	Heating	High	dBA		47		48	
		Silent operation	dBA		44		45	
Operation range	Cooling	Ambient	Min.	°CDB	-10			
			Max.	°CDB	46			
	Heating	Ambient	Min.	°CWB	-15			
			Max.	°CWB	18			
Refrigerant	Type				R-410A			
	Charge		kg		1.0		1.2	
			TCO ₂ eq		2.1		2.5	
	GWP				2,087.5			
Refrigerant oil	Type				FVC50K			
	Charged volume		l		0.375			
Piping connections	Liquid	OD		mm	6.35			
		Gas		OD		9.5		
	Drain	ID		mm		-		
		OD		mm	18	-		
	Piping length	OU - IU	Max.	m		20		
		System	Chargeless	m		10		
	Additional refrigerant charge			kg/m		0.02 (for piping length exceeding 10m)		
	Level difference	IU - OU	Max.	m		15		
	Heat insulation				Both liquid and gas pipes			

2-13 Electrical Specifications					RXS20L3	RXS25L3	RXS35L3
Power supply	Name				V1		
	Phase				1~		
	Frequency		Hz		50		
	Voltage				220-240		

2 Specifications

2-13 Electrical Specifications				RXS20L3	RXS25L3	RXS35L3
Current	Nominal running current (RLA)	Cooling	A	2.42 (1) / 2.31 (2) / 2.22 (3)	-	
		Heating	A	2.61 (1) / 2.52 (2) / 2.43 (3)	-	
	Starting current	Cooling	A	2.4	3.3	4.3
		Heating	A	2.4	3.3	4.3
Current - 50Hz	Maximum fuse amps (MFA)		A	10	-	
Current - 60Hz	Maximum fuse amps (MFA)		A	-		

Notes

(1) 220V

(2) 230V

(3) 240V

SL: The silent fan level of the air flow rate setting

3 Electrical data

3 - 1 Electrical Data

RXS20-25L3

Unit combination restrictions		Power supply					COMP		OFM		IFM	
Indoor	Outdoor	A	B	C	MCA	MFA	RHz	RLA	kW	FLA	kW	FLA
FTXS20K3V1B	RXS20L3V1B	50 50 50	220 230 240	MAX. 50 Hz 264V MIN. 50Hz 198V	8	10	35	2,30 2,20 2,10	0,023	0,24 0,23 0,22	0,016	0,19 0,18 0,17
FTXS25K3V1B	RXS25L3V1B	50 50 50	220 230 240	MAX. 50 Hz 264V MIN. 50Hz 198V	8	10	47	2,82 2,70 2,59	0,023	0,24 0,23 0,22	0,016	0,19 0,18 0,17
FVXS25FV1B	RXS25L3V1B	50 50 50	220 230 240	MAX. 50 Hz 264V MIN. 50Hz 198V	9,75	10	48	2,93 2,80 2,68	0,023	0,23	0,048	0,05
FLXS25BAVMB	RXS25L3V1B	50 50 50	220 230 240	MAX. 50 Hz 264V MIN. 50Hz 198V	9,75	10	50	2,61 2,50 2,40	0,023	0,23	0,034	0,34
FDXS25F2VEB	RXS25L3V1B	50 50 50	220 230 240	MAX. 50 Hz 264V MIN. 50Hz 198V	9,75	16	54	4,29 4,10 3,93	0,031	0,2	0,034	0,3
FFQ25C2VEB	RXS25L3V1B	50 50 50	220 230 240	MAX. 50 Hz 264V MIN. 50Hz 198V	9,75	10		2,60 2,50 2,30	0,023	0,23	0,050	0,3

Notes

- The RLA is based on the following conditions.
Indoor temperature 27°C DB / 19°C WB
Outdoor temperature 35°C DB
- Select the wire size according to the MCA.
- The maximum allowable voltage that is unbalanced between phases is 2%.
- Use a circuit breaker instead of a fuse.
- Editable data for this drawing are available in GDE (E-BOM) system.

Symbols

- A Hz
- B Voltage
- C Voltage range
- MCA Minimum Circuit Ampere (A)
- MFA Maximum Fuse Ampere (A)
- RLA Rated load amps [A]

- OFM Outdoor fan motor
- IFM Indoor fan motor
- FLA Full Load Ampere (A)
- kW Fan motor rated output [kW]
- RHz Rated operating frequency [Hz]

3D092002A

RXS25-35L3

Unit combination restrictions		Power supply					COMP		OFM		IFM	
Indoor	Outdoor	①	②	③	MCA	MFA	RHz	RLA	kW	FLA	kW	FLA
FNQ25A2VEB	RXS25L3V1B	50	220-240V	MAX. 50Hz 264V MIN. 50Hz 198V	12	16	54	4,1	0,031	0,2	0,034	0,3
FNQ35A2VEB	RXS35L3V1B						90	5,5	0,035	0,22		

Notes

- The RLA is based on the following conditions.
Indoor temperature 27°C DB / 19°C WB
Outdoor temperature 35°C DB
- Select the wire size according to the MCA.
- The maximum allowable voltage that is unbalanced between phases is 2%.
- Use a circuit breaker instead of a fuse.

Symbols

- ① Hz
- ② Voltage
- ③ Voltage range
- MCA Minimum Circuit Ampere (A)
- MFA Maximum Fuse Ampere (A)
- RLA Rated load amps [A]

- OFM Outdoor fan motor
- IFM Indoor fan motor
- FLA Full Load Ampere (A)
- kW Fan motor rated output [kW]
- RHz Rated operating frequency [Hz]
- COMP Compressor

3D096315C

3 Electrical data

3 - 1 Electrical Data

3

RXS35L3

Unit combination restrictions		Power supply				COMP		OFM		IFM		
Indoor	Outdoor	A	B	C	MCA	MFA	RHz	RLA	kW	FLA	kW	FLA
FTXS35K3V1B	RXS35L3V1B	50	220	MAX. 50 Hz 264V	8,8	10	66	3,76	0,023	0,23	0,023	0,15
		50	230					3,60				
		50	240	MIN. 50Hz 198V				3,45				
FVXS35FV1B	RXS35L3V1B	50	220	MAX. 50 Hz 264V	9,75	10	76	4,81	0,023	0,23	0,048	0,05
		50	230					4,60				
		50	240	MIN. 50Hz 198V				4,41				
FLXS35BAVMB9	RXS35L3V1B	50	220	MAX. 50 Hz 264V	9,75	10	82	4,50	0,023	0,23	0,034	0,38
		50	230					4,30				
		50	240	MIN. 50Hz 198V				4,12				
FDXS35K2V1B	RXS35L3V1B	50	220	MAX. 50 Hz 264V	9,75	16	78	5,75	0,035	0,22	0,034	0,3
		50	230					5,50				
		50	240	MIN. 50Hz 198V				5,27				
FHQ35CAVEB	RXS35L3V1B	50	220	MAX. 50 Hz 264V	9,75	10	66	4,29	0,023	0,23	0,06	0,6
		50	230					4,10				
		50	240	MIN. 50Hz 198V				3,93				
FBQ35C8VEB	RXS35L3V1B	50	220	MAX. 50 Hz 264V	9,75	16	80	4,62	0,019	0,35	0,14	1,2
		50	230					4,42				
		50	240	MIN. 50Hz 198V				4,24				
FFQ35C2VEB	RXS35L3V1B	50	220	MAX. 50Hz 264V	9,75	10		4,80	0,023	0,23	0,050	0,4
		50	230					4,60				
		50	240	MIN. 50Hz 198V				4,40				
FCQG35FVEB	RXS35L3V1B	50	220	MAX. 50Hz 253V	9,75	10		7,10	0,023	0,23	0,048	0,3
		50	230					3,90				
		50	240	MIN. 50Hz 207V				3,70				

Notes

- The RLA is based on the following conditions.
Indoor temperature 27°C DB / 19°C WB
Outdoor temperature 35°C DB
- Select the wire size according to the MCA.
- The maximum allowable voltage that is unbalanced between phases is 2%.
- Use a circuit breaker instead of a fuse.

Symbols

- A Hz
- B Voltage
- C Voltage range
- MCA Minimum Circuit Ampere (A)
- MFA Maximum Fuse Ampere (A)
- RLA Rated load amps [A]

- OFM Outdoor fan motor
- IFM Indoor fan motor^P
- FLA Full Load Ampere (A)
- kW Fan motor rated output [kW]
- RHz Rated operating frequency [Hz]

3D094949

RXS35L3

Unit combination restrictions		Power supply				COMP		OFM		IFM		
Indoor	Outdoor	①	②	③	MCA	MFA	RHz	RLA	kW	FLA	kW	FLA
FBQ35D2VEB	RXS35L3V1B	50	220-240V	MAX. 50Hz 264V MIN. 50Hz 198V	15	16	63	3,1	0,023	0,23	0,089	0,6

Notes

- The RLA is based on the following conditions.
Indoor temperature 27°C DB / 19°C WB
Outdoor temperature 35°C DB
- Select the wire size according to the MCA.
- The maximum allowable voltage that is unbalanced between phases is 2%.
- Use a circuit breaker instead of a fuse.

Symbols

- ① Hz
- ② Voltage
- ③ Voltage range
- MCA Minimum Circuit Ampere (A)
- MFA Maximum Fuse Ampere (A)
- RLA Rated load amps [A]

- OFM Outdoor fan motor
- IFM Indoor fan motor
- FLA Full Load Ampere (A)
- kW Fan motor rated output [kW]
- RHz Rated operating frequency [Hz]
- COMP Compressor

3D094863B

4 Capacity tables

4 - 1 Cooling/Heating Capacity Tables

FTXS20K3V1B + RXS20L3V1B

AFR	8,8
BF	0,16

Cooling 220-240V 50Hz

A	B	C																	
		20			25			30			32			35			40		
		TC	SHC	PI	TC	SHC	PI	TC	SHC	PI	TC	SHC	PI	TC	SHC	PI	TC	SHC	PI
20	14	2,05	1,76	0,33	1,96	1,72	0,36	1,86	1,68	0,39	1,83	1,66	0,41	1,77	1,64	0,43	1,68	1,59	0,46
22	16	2,14	1,76	0,33	2,05	1,69	0,36	1,95	1,65	0,40	1,92	1,64	0,41	1,86	1,62	0,43	1,77	1,58	0,46
25	18	2,23	1,85	0,33	2,14	1,81	0,37	2,05	1,78	0,40	2,01	1,76	0,41	1,95	1,74	0,43	1,86	1,70	0,46
27	19	2,28	1,98	0,33	2,19	1,95	0,37	2,09	1,91	0,40	2,06	1,90	0,41	2,00	1,88	0,43	1,91	1,84	0,46
30	22	2,42	1,92	0,34	2,32	1,89	0,37	2,23	1,86	0,40	2,19	1,85	0,41	2,14	1,83	0,43	2,05	1,80	0,46
32	24	2,51	1,88	0,34	2,42	1,86	0,37	2,32	1,83	0,40	2,29	1,82	0,42	2,23	1,80	0,43	2,14	1,77	0,47

AFR	9,5
-----	-----

Heating 220-240V 50Hz

A	D											
	-15		-10		-5		0		6		10	
	TC	PI	TC	PI	TC	PI	TC	PI	TC	PI	TC	PI
15	1,19	0,34	1,43	0,36	1,67	0,38	2,25	0,49	2,59	0,52	2,81	0,54
20	1,12	0,35	1,36	0,37	1,60	0,39	2,16	0,50	2,50	0,53	2,73	0,55
22	1,09	0,36	1,33	0,38	1,57	0,39	2,13	0,51	2,47	0,53	2,69	0,55
24	1,06	0,36	1,30	0,38	1,54	0,40	2,09	0,51	2,43	0,54	2,66	0,56
25	1,04	0,36	1,28	0,38	1,52	0,40	2,07	0,52	2,41	0,54	2,64	0,56
27	1,01	0,37	1,25	0,39	1,49	0,40	2,04	0,52	2,38	0,55	2,61	0,57

Notes

- The capacities are based on the following conditions:
 Corresponding refrigerant piping length: 5.0 m
 Level difference: 0m
- The bold cells indicate the standard conditions.
 Rated operating frequency [Hz]

Symbols

TC: Total capacity [kW]

PI: Power input [kW]

SHC: Sensible heat capacity [kW]

AFR: Air flow rate [m³/min]

BF: Bypass factor

A Indoor air temperature [°C DB]

B Indoor air temperature [°C WB]

C Outdoor air temperature [°C DB]

D Outdoor air temperature [°C WB]

3D091970

4 Capacity tables

4 - 1 Cooling/Heating Capacity Tables

FTXS25K3V1B + RXS25L3V1B

AFR	9,1
BF	0,24

Cooling 220-240V 50Hz

A	B	C																	
		20			25			30			32			35			40		
		TC	SHC	PI	TC	SHC	PI	TC	SHC	PI	TC	SHC	PI	TC	SHC	PI	TC	SHC	PI
20	14	2,28	1,82	0,41	2,28	1,82	0,46	2,28	1,82	0,52	2,28	1,82	0,54	2,21	1,79	0,56	2,10	1,73	0,61
22	16	2,68	1,92	0,44	2,56	1,87	0,48	2,44	1,82	0,52	2,40	1,80	0,54	2,33	1,76	0,57	2,21	1,71	0,61
25	18	2,79	2,02	0,44	2,68	1,97	0,48	2,56	1,92	0,53	2,51	1,90	0,54	2,44	1,88	0,57	2,33	1,83	0,61
27	19	2,85	2,14	0,44	2,73	2,09	0,49	2,62	2,05	0,53	2,57	2,03	0,54	2,50	2,00	0,57	2,38	1,95	0,61
30	22	3,02	2,07	0,45	2,91	2,03	0,49	2,79	1,98	0,53	2,74	1,97	0,55	2,67	1,94	0,57	2,56	1,90	0,62
32	24	3,14	2,02	0,45	3,02	1,98	0,49	2,90	1,94	0,53	2,86	1,92	0,55	2,79	1,90	0,58	2,67	1,87	0,62

AFR	10,0
-----	------

Heating 220-240V 50Hz

A	D											
	-15		-10		-5		0		6		10	
	TC	PI	TC	PI	TC	PI	TC	PI	TC	PI	TC	PI
15	1,33	0,39	1,60	0,41	1,87	0,43	2,52	0,56	2,90	0,59	3,15	0,61
20	1,25	0,40	1,52	0,42	1,79	0,44	2,42	0,57	2,80	0,60	3,05	0,62
22	1,22	0,40	1,49	0,43	1,76	0,45	2,38	0,57	2,76	0,61	3,01	0,63
24	1,19	0,41	1,45	0,43	1,72	0,45	2,34	0,58	2,72	0,61	2,98	0,63
25	1,17	0,41	1,44	0,43	1,71	0,45	2,32	0,58	2,70	0,61	2,96	0,63
27	1,14	0,42	1,41	0,44	1,67	0,45	2,29	0,59	2,66	0,62	2,92	0,64

Notes

- The capacities are based on the following conditions:
 Corresponding refrigerant piping length: 5.0 m
 Level difference: 0m
- The bold cells indicate the standard conditions.
 Rated operating frequency [Hz]

Symbols

- TC: Total capacity [kW]
- PI: Power input [kW]
- SHC: Sensible heat capacity [kW]
- AFR: Air flow rate [m³/min]
- BF: Bypass factor

- A Indoor air temperature [°C DB]
- B Indoor air temperature [°C WB]
- C Outdoor air temperature [°C DB]
- D Outdoor air temperature [°C WB]

3D091964

4 Capacity tables

4 - 1 Cooling/Heating Capacity Tables

FTXS35K3V1B + RXS35L3V1B

AFR	11,2
BF	0,12

Cooling 220-240V 50Hz

A	B	C																	
		20			25			30			32			35			40		
		TC	SHC	PI	TC	SHC	PI	TC	SHC	PI	TC	SHC	PI	TC	SHC	PI	TC	SHC	PI
20	14	3,24	2,59	0,63	3,24	2,59	0,72	3,24	2,59	0,79	3,19	2,57	0,81	3,10	2,52	0,85	2,93	2,44	0,91
22	16	3,75	2,71	0,67	3,58	2,64	0,73	3,42	2,56	0,79	3,36	2,53	0,82	3,26	2,49	0,85	3,10	2,42	0,92
25	18	3,91	2,85	0,67	3,75	2,78	0,73	3,58	2,72	0,80	3,52	2,69	0,82	3,42	2,65	0,86	3,26	2,58	0,92
27	19	3,99	3,02	0,67	3,83	2,96	0,74	3,66	2,89	0,80	3,60	2,86	0,82	3,50	2,82	0,86	3,34	2,76	0,92
30	22	4,23	2,92	0,68	4,07	2,86	0,74	3,90	2,80	0,80	3,84	2,78	0,83	3,74	2,75	0,87	3,58	2,69	0,93
32	24	4,39	2,85	0,68	4,23	2,79	0,75	4,07	2,74	0,81	4,00	2,72	0,83	3,90	2,69	0,87	3,74	2,64	0,93

AFR	12,1
-----	------

Heating 220-240V 50Hz

A	D											
	-15		-10		-5		0		6		10	
	TC	PI	TC	PI	TC	PI	TC	PI	TC	PI	TC	PI
15	1,90	0,54	2,29	0,57	2,67	0,60	3,60	0,78	4,14	0,82	4,50	0,85
20	1,79	0,56	2,17	0,58	2,56	0,61	3,46	0,80	4,00	0,84	4,36	0,87
22	1,74	0,56	2,12	0,59	2,51	0,62	3,40	0,81	3,94	0,85	4,31	0,88
24	1,69	0,57	2,08	0,60	2,46	0,62	3,35	0,81	3,89	0,86	4,25	0,88
25	1,67	0,57	2,05	0,60	2,44	0,63	3,32	0,82	3,86	0,86	4,22	0,89
27	1,62	0,58	2,01	0,60	2,39	0,63	3,26	0,82	3,81	0,87	4,17	0,89

Notes

- The capacities are based on the following conditions:
 Corresponding refrigerant piping length: 5.0 m
 Level difference: 0m
- The bold cells indicate the standard conditions.
 Rated operating frequency [Hz]

Symbols

- TC: Total capacity [kW]
- PI: Power input [kW]
- SHC: Sensible heat capacity [kW]
- AFR: Air flow rate [m³/min]
- BF: Bypass factor
- A Indoor air temperature [°C DB]
- B Indoor air temperature [°C WB]
- C Outdoor air temperature [°C DB]
- D Outdoor air temperature [°C WB]

3D091965

4 Capacity tables

4 - 1 Cooling/Heating Capacity Tables

FVXS25FV1B + RXS25L3V1B

AFR	8,2
BF	0,10

Cooling 220-240V 50Hz

A	B	C																	
		20			25			30			32			35			40		
		TC	SHC	PI	TC	SHC	PI	TC	SHC	PI	TC	SHC	PI	TC	SHC	PI	TC	SHC	PI
20	14	2,56	2,00	0,44	2,44	1,95	0,48	2,33	1,89	0,52	2,28	1,87	0,54	2,21	1,84	0,56	2,10	1,78	0,61
22	16	2,68	1,97	0,44	2,56	1,92	0,48	2,44	1,87	0,52	2,40	1,84	0,54	2,33	1,81	0,57	2,21	1,76	0,61
25	18	2,79	2,08	0,44	2,68	2,03	0,48	2,56	1,98	0,53	2,51	1,96	0,54	2,44	1,93	0,57	2,33	1,89	0,61
27	19	2,85	2,21	0,44	2,73	2,16	0,49	2,62	2,11	0,53	2,57	2,09	0,54	2,50	2,07	0,57	2,38	2,02	0,61
30	22	3,02	2,13	0,45	2,91	2,09	0,49	2,79	2,05	0,53	2,74	2,03	0,55	2,67	2,01	0,57	2,56	1,97	0,62
32	24	3,14	2,08	0,45	3,02	2,04	0,49	2,90	2,01	0,53	2,86	1,99	0,55	2,79	1,97	0,58	2,67	1,93	0,62

AFR	8,8
-----	-----

Heating 220-240V 50Hz

A	D									
	-10		-5		0		6		10	
	TC	PI	TC	PI	TC	PI	TC	PI	TC	PI
15	2,29	0,65	2,67	0,68	3,06	0,71	3,52	0,75	3,82	0,78
20	2,17	0,67	2,56	0,70	2,94	0,73	3,40	0,77	3,71	0,80
22	2,12	0,67	2,51	0,71	2,89	0,74	3,35	0,78	3,66	0,80
24	2,08	0,68	2,46	0,71	2,86	0,75	3,31	0,78	3,61	0,81
25	2,05	0,68	2,44	0,72	2,82	0,75	3,28	0,79	3,59	0,81
27	2,01	0,69	2,39	0,72	2,77	0,76	3,24	0,79	3,54	0,82

Notes

- The capacities are based on the following conditions:
 Corresponding refrigerant piping length: 5.0 m
 Level difference: 0m
- The bold cells indicate the standard conditions.
 Rated operating frequency [Hz]

Symbols

- TC: Total capacity [kW]
- PI: Power input [kW]
- SHC: Sensible heat capacity [kW]
- AFR: Air flow rate [m³/min]
- BF: Bypass factor
- A Indoor air temperature [°C DB]
- B Indoor air temperature [°C WB]
- C Outdoor air temperature [°C DB]
- D Outdoor air temperature [°C WB]

3D091967

4 Capacity tables

4 - 1 Cooling/Heating Capacity Tables

FVXS35FV1B + RXS35L3V1B

AFR	8,5
BF	0,11

Cooling 220-240V 50Hz

A	B	C																	
		20			25			30			32			35			40		
		TC	SHC	PI	TC	SHC	PI	TC	SHC	PI	TC	SHC	PI	TC	SHC	PI	TC	SHC	PI
20	14	3,59	2,54	0,78	3,42	2,46	0,86	3,26	2,37	0,93	3,19	2,34	0,96	3,10	2,29	1,01	2,93	2,21	1,08
22	16	3,75	2,50	0,79	3,58	2,42	0,86	3,42	2,34	0,94	3,36	2,31	0,97	3,26	2,26	1,01	3,10	2,18	1,09
25	18	3,91	2,60	0,79	3,75	2,52	0,87	3,58	2,45	0,94	3,52	2,42	0,97	3,42	2,37	1,02	3,26	2,30	1,09
27	19	3,99	2,72	0,79	3,83	2,65	0,87	3,66	2,57	0,94	3,60	2,55	0,97	3,50	2,50	1,02	3,34	2,43	1,10
30	22	4,23	2,61	0,80	4,07	2,55	0,88	3,90	2,49	0,95	3,84	2,46	0,98	3,74	2,43	1,03	3,58	2,36	1,10
32	24	4,39	2,54	0,81	4,23	2,48	0,88	4,07	2,42	0,96	4,00	2,40	0,99	3,90	2,37	1,03	3,74	2,31	1,11

AFR	9,4
-----	-----

Heating 220-240V 50Hz

A	D									
	-10		-5		0		6		10	
	TC	PI	TC	PI	TC	PI	TC	PI	TC	PI
15	3,03	1,00	3,54	1,05	4,05	1,10	4,66	1,16	5,06	1,20
20	2,87	1,03	3,38	1,08	3,89	1,13	4,50	1,19	4,91	1,23
22	2,81	1,04	3,32	1,09	3,83	1,14	4,44	1,20	4,84	1,24
24	2,75	1,05	3,26	1,10	3,77	1,15	4,38	1,21	4,78	1,25
25	2,72	1,06	3,23	1,11	3,73	1,16	4,34	1,22	4,75	1,26
27	2,66	1,07	3,16	1,12	3,67	1,17	4,28	1,23	4,69	1,27

Notes

- The capacities are based on the following conditions:
Corresponding refrigerant piping length: 5.0 m
Level difference: 0m
- The bold cells indicate the standard conditions.
Rated operating frequency [Hz]

Symbols

- TC: Total capacity [kW]
- PI: Power input [kW]
- SHC: Sensible heat capacity [kW]
- AFR: Air flow rate [m³/min]
- BF: Bypass factor

- A Indoor air temperature [°C DB]
- B Indoor air temperature [°C WB]
- C Outdoor air temperature [°C DB]
- D Outdoor air temperature [°C WB]

3D091966

4 Capacity tables

4 - 1 Cooling/Heating Capacity Tables

FLXS25BAVMB + RXS25L3V1B

AFR	7,6
BF	0,32

Cooling 220-240V 50Hz

A	B	C																	
		20			25			30			32			35			40		
		TC	SHC	PI	TC	SHC	PI	TC	SHC	PI	TC	SHC	PI	TC	SHC	PI	TC	SHC	PI
20	14	2,52	1,77	0,49	2,44	1,73	0,55	2,33	1,67	0,59	2,28	1,65	0,61	2,21	1,61	0,64	2,10	1,55	0,69
22	16	2,68	1,76	0,50	2,56	1,71	0,55	2,44	1,65	0,60	2,40	1,63	0,62	2,33	1,59	0,65	2,21	1,54	0,69
25	18	2,79	1,83	0,50	2,68	1,78	0,55	2,56	1,72	0,60	2,51	1,70	0,62	2,44	1,67	0,65	2,33	1,62	0,70
27	19	2,85	1,91	0,51	2,73	1,86	0,55	2,62	1,81	0,60	2,57	1,79	0,62	2,50	1,76	0,65	2,38	1,71	0,70
30	22	3,02	1,84	0,51	2,91	1,79	0,56	2,79	1,75	0,61	2,74	1,73	0,63	2,67	1,70	0,65	2,56	1,66	0,70
32	24	3,14	1,79	0,51	3,02	1,74	0,56	2,90	1,70	0,61	2,86	1,68	0,63	2,79	1,66	0,66	2,67	1,62	0,71

AFR	9,2
-----	-----

Heating 220-240V 50Hz

A	D									
	-10		-5		0		6		10	
	TC	PI	TC	PI	TC	PI	TC	PI	TC	PI
15	2,29	0,81	2,67	0,85	3,06	0,89	3,52	0,94	3,82	0,97
20	2,17	0,83	2,56	0,87	2,94	0,91	3,40	0,96	3,71	0,99
22	2,12	0,84	2,51	0,88	2,89	0,92	3,35	0,97	3,66	1,00
24	2,08	0,85	2,46	0,89	2,85	0,93	3,31	0,98	3,61	1,01
25	2,05	0,85	2,44	0,89	2,82	0,93	3,28	0,98	3,59	1,01
27	2,01	0,86	2,39	0,90	2,77	0,94	3,24	0,99	3,54	1,02

Notes

- The capacities are based on the following conditions:
Corresponding refrigerant piping length: 5.0 m
Level difference: 0m
- The bold cells indicate the standard conditions.
Rated operating frequency [Hz]

Symbols

TC: Total capacity [kW]

PI: Power input [kW]

SHC: Sensible heat capacity [kW]

AFR: Air flow rate [m³/min]

BF: Bypass factor

A Indoor air temperature [°C DB]

B Indoor air temperature [°C WB]

C Outdoor air temperature
[°C DB]

D Outdoor air temperature
[°C WB]

3D091968

4 Capacity tables

4 - 1 Cooling/Heating Capacity Tables

FLXS35BAVMB9 + RXS35L3V1B

AFR	8,6
BF	0,35

Cooling 220-240V 50Hz

A	B	C																	
		20			25			30			32			35			40		
		TC	SHC	PI	TC	SHC	PI	TC	SHC	PI	TC	SHC	PI	TC	SHC	PI	TC	SHC	PI
20	14	2,72	1,92	0,87	2,72	1,92	0,95	2,72	1,92	1,03	2,72	1,92	1,07	2,72	1,92	1,12	2,72	1,92	1,20
22	16	3,34	2,14	0,87	3,34	2,14	0,96	3,34	2,14	1,04	3,34	2,14	1,07	3,26	2,10	1,12	3,10	2,01	1,21
25	18	3,91	2,42	0,88	3,75	2,34	0,96	3,58	2,26	1,04	3,52	2,22	1,08	3,42	2,17	1,13	3,26	2,09	1,21
27	19	3,99	2,51	0,88	3,83	2,43	0,96	3,66	2,34	1,05	3,60	2,31	1,08	3,50	2,27	1,13	3,34	2,19	1,21
30	22	4,23	2,40	0,89	4,07	2,33	0,97	3,90	2,26	1,05	3,84	2,23	1,09	3,74	2,19	1,14	3,58	2,12	1,22
32	24	4,39	2,32	0,89	4,23	2,26	0,98	4,07	2,19	1,06	4,00	2,16	1,09	3,90	2,13	1,14	3,74	2,06	1,23

AFR	12,8
-----	------

Heating 220-240V 50Hz

A	D									
	-10		-5		0		6		10	
	TC	PI	TC	PI	TC	PI	TC	PI	TC	PI
15	2,69	0,95	3,14	0,99	3,60	1,04	4,14	1,09	4,50	1,13
20	2,55	0,97	3,01	1,02	3,46	1,07	4,00	1,12	4,36	1,16
22	2,50	0,98	2,95	1,03	3,40	1,07	3,94	1,13	4,31	1,17
24	2,44	0,99	2,90	1,04	3,35	1,08	3,89	1,14	4,25	1,17
25	2,42	1,00	2,87	1,05	3,32	1,09	3,86	1,15	4,18	1,18
27	2,36	1,01	2,81	1,06	3,26	1,10	3,81	1,16	3,91	1,18

Notes

- The capacities are based on the following conditions:
 Corresponding refrigerant piping length: 5.0 m
 Level difference: 0m
- The bold cells indicate the standard conditions.
 Rated operating frequency [Hz]

Symbols

- TC: Total capacity [kW]
Power input [kW]
- SHC: Sensible heat capacity [kW]
- AFR: Air flow rate [m³/min]
- BF: Bypass factor

- A Indoor air temperature [°C DB]
- B Indoor air temperature [°C WB]

- C Outdoor air temperature [°C DB]
- D Outdoor air temperature [°C WB]

3D091963

4 Capacity tables

4 - 1 Cooling/Heating Capacity Tables

FDXS25F2VEB + RXS25L3V1B

AFR	8,7
BF	0,17

Cooling 220-240V 50Hz

A	B	C																	
		20			25			30			32			35			40		
		TC	SHC	PI	TC	SHC	PI	TC	SHC	PI	TC	SHC	PI	TC	SHC	PI	TC	SHC	PI
20	14	2,46	1,94	0,50	2,35	1,89	0,55	2,24	1,83	0,59	2,19	1,81	0,61	2,12	1,78	0,64	2,01	1,73	0,69
22	16	2,57	1,91	0,50	2,46	1,86	0,55	2,35	1,81	0,59	2,30	1,79	0,61	2,23	1,76	0,65	2,12	1,71	0,70
25	18	2,68	2,01	0,51	2,57	1,97	0,56	2,46	1,92	0,60	2,41	1,90	0,62	2,34	1,88	0,65	2,23	1,83	0,70
27	19	2,74	2,14	0,51	2,62	2,10	0,56	2,51	2,05	0,60	2,47	2,03	0,62	2,40	2,01	0,65	2,29	1,96	0,70
30	22	2,90	2,07	0,51	2,79	2,03	0,56	2,68	1,99	0,60	2,63	1,98	0,62	2,57	1,95	0,65	2,45	1,91	0,71
32	24	3,01	2,02	0,51	2,90	1,99	0,57	2,79	1,95	0,61	2,74	1,94	0,63	2,68	1,91	0,66	2,56	1,88	0,71

AFR	8,7
-----	-----

Heating 220-240V 50Hz

A	D									
	-10		-5		0		6		10	
	TC	PI	TC	PI	TC	PI	TC	PI	TC	PI
15	2,15	0,68	2,52	0,71	2,88	0,74	3,31	0,78	3,60	0,81
20	2,04	0,69	2,41	0,73	2,77	0,76	3,20	0,80	3,49	0,83
22	2,00	0,70	2,36	0,74	2,72	0,76	3,16	0,81	3,44	0,84
24	1,96	0,71	2,32	0,74	2,68	0,77	3,11	0,82	3,40	0,84
25	1,93	0,71	2,29	0,75	2,66	0,78	3,09	0,82	3,38	0,84
27	1,89	0,72	2,25	0,76	2,61	0,78	3,05	0,83	3,33	0,85

Notes

- The capacities are based on the following conditions:
 Corresponding refrigerant piping length: 5.0 m
 Level difference: 0m
- The bold cells indicate the standard conditions.
 Rated operating frequency [Hz]

Symbols

- TC: Total capacity [kW]
- PI: Power input [kW]
- SHC: Sensible heat capacity [kW]
- AFR: Air flow rate [m³/min]
- BF: Bypass factor

- A Indoor air temperature [°C DB]
- B Indoor air temperature [°C WB]
- C Outdoor air temperature [°C DB]
- D Outdoor air temperature [°C WB]

3D091974

4 Capacity tables

4 - 1 Cooling/Heating Capacity Tables

FDXS35F2VEB + RXS35L3V1B

AFR	8,7
BF	0,17

Cooling 220-240V 50Hz

A	B	C																	
		20			25			30			32			35			40		
		TC	SHC	PI	TC	SHC	PI	TC	SHC	PI	TC	SHC	PI	TC	SHC	PI	TC	SHC	PI
20	14	3,48	2,46	0,82	3,33	2,38	0,89	3,17	2,30	0,97	3,10	2,26	1,00	3,01	2,21	1,05	2,85	2,13	1,13
22	16	3,64	2,42	0,82	3,48	2,34	0,89	3,32	2,26	0,97	3,26	2,23	1,00	3,17	2,19	1,05	3,01	2,11	1,13
25	18	3,80	2,51	0,83	3,64	2,44	0,90	3,48	2,37	0,98	3,42	2,34	1,01	3,32	2,30	1,06	3,16	2,23	1,14
27	19	3,87	2,63	0,83	3,72	2,56	0,90	3,56	2,49	0,98	3,49	2,46	1,01	3,40	2,42	1,06	3,24	2,35	1,14
30	22	4,11	2,53	0,84	3,95	2,47	0,91	3,79	2,40	0,99	3,73	2,38	1,02	3,63	2,34	1,07	3,48	2,28	1,15
32	24	4,27	2,46	0,84	4,11	2,40	0,91	3,95	2,34	0,99	3,89	2,32	1,02	3,79	2,29	1,07	3,63	2,23	1,15

AFR	8,7
-----	-----

Heating 220-240V 50Hz

A	D											
	-10		-5		0		6		10			
	TC	PI	TC	PI	TC	PI	TC	PI	TC	PI		
15	2,69	0,97	3,14	1,02	3,60	1,07	4,14	1,12	4,50	1,16		
20	2,55	0,99	3,01	1,04	3,46	1,09	4,00	1,15	4,36	1,19		
22	2,50	1,01	2,95	1,05	3,40	1,10	3,94	1,16	4,31	1,20		
24	2,44	1,02	2,90	1,06	3,35	1,11	3,89	1,17	4,25	1,21		
25	2,42	1,02	2,87	1,07	3,32	1,12	3,86	1,18	4,22	1,22		
27	2,36	1,03	2,81	1,08	3,26	1,13	3,81	1,19	4,17	1,23		

Notes

- The capacities are based on the following conditions:
 Corresponding refrigerant piping length: 5.0 m
 Level difference: 0m
- The bold cells indicate the standard conditions.
 Rated operating frequency [Hz]

Symbols

- TC: Total capacity [kW]
- PI: Power input [kW]
- SHC: Sensible heat capacity [kW]
- AFR: Air flow rate [m³/min]
- BF: Bypass factor
- A Indoor air temperature [°C DB]
- B Indoor air temperature [°C WB]
- C Outdoor air temperature [°C DB]
- D Outdoor air temperature [°C WB]

3D091969

4 Capacity tables

4 - 1 Cooling/Heating Capacity Tables

FCQG35FVEB + RXS35L3V1B

AFR	12,5
BF	0,40

Cooling 220-240V 50Hz

A	B	C																	
		20			25			30			32			35			40		
		TC	SHC	PI	TC	SHC	PI	TC	SHC	PI	TC	SHC	PI	TC	SHC	PI	TC	SHC	PI
20	14	3,48	2,49	0,73	3,33	2,40	0,80	3,17	2,32	0,87	3,10	2,29	0,90	3,01	2,24	0,94	2,85	2,16	1,01
22	16	3,64	2,44	0,73	3,48	2,37	0,80	3,32	2,29	0,87	3,26	2,26	0,90	3,17	2,21	0,94	3,01	2,14	1,01
25	18	3,80	2,54	0,74	3,64	2,47	0,81	3,48	2,40	0,88	3,42	2,37	0,91	3,32	2,33	0,95	3,16	2,26	1,02
27	19	3,87	2,67	0,74	3,72	2,60	0,81	3,56	2,53	0,88	3,49	2,50	0,91	3,40	2,46	0,95	3,24	2,39	1,02
30	22	4,11	2,57	0,75	3,95	2,50	0,82	3,79	2,44	0,89	3,73	2,42	0,91	3,63	2,38	0,96	3,48	2,32	1,03
32	24	4,27	2,49	0,75	4,11	2,44	0,82	3,95	2,38	0,89	3,89	2,36	0,92	3,79	2,33	0,96	3,63	2,27	1,03

AFR	12,5
-----	------

Heating 220-240V 50Hz

A	D									
	-10		-5		0		6		10	
	TC	PI	TC	PI	TC	PI	TC	PI	TC	PI
15	2,83	1,01	3,30	1,06	3,78	1,11	4,34	1,17	4,72	1,21
20	2,68	1,04	3,16	1,09	3,63	1,14	4,20	1,20	4,58	1,24
22	2,62	1,05	3,10	1,10	3,57	1,15	4,14	1,21	4,52	1,25
24	2,57	1,06	3,04	1,11	3,51	1,16	4,08	1,22	4,46	1,26
25	2,54	1,07	3,01	1,12	3,49	1,17	4,06	1,23	4,43	1,27
27	2,48	1,08	2,95	1,13	3,43	1,18	4,00	1,24	4,38	1,28

Notes

- The capacities are based on the following conditions:
 Corresponding refrigerant piping length: 5.0 m
 Level difference: 0m
- The bold cells indicate the standard conditions.
 Rated operating frequency [Hz]

Symbols

- TC: Total capacity [kW]
- PI: Power input [kW]
- SHC: Sensible heat capacity [kW]
- AFR: Air flow rate [m³/min]
- BF: Bypass factor

- A Indoor air temperature [°C DB]
- B Indoor air temperature [°C WB]
- C Outdoor air temperature [°C DB]
- D Outdoor air temperature [°C WB]

3D091971

4 Capacity tables

4 - 1 Cooling/Heating Capacity Tables

FFQ25C2VEB + RXS25L3V1B

AFR	9,0
BF	0,24

Cooling 220-240V 50Hz

A	B	C																	
		20			25			30			32			35			40		
		TC	SHC	PI	TC	SHC	PI	TC	SHC	PI	TC	SHC	PI	TC	SHC	PI	TC	SHC	PI
20	14	2,56	1,95	0,43	2,44	1,89	0,47	2,33	1,84	0,51	2,28	1,81	0,53	2,21	1,78	0,55	2,10	1,72	0,60
22	16	2,68	1,92	0,43	2,56	1,86	0,48	2,44	1,81	0,51	2,40	1,79	0,53	2,33	1,76	0,56	2,21	1,71	0,60
25	18	2,79	2,01	0,44	2,68	1,96	0,48	2,56	1,92	0,51	2,51	1,90	0,54	2,44	1,87	0,56	2,33	1,82	0,60
27	19	2,85	2,13	0,44	2,73	2,08	0,48	2,62	2,04	0,52	2,57	2,02	0,54	2,50	1,99	0,56	2,38	1,94	0,60
30	22	3,02	2,06	0,44	2,91	2,02	0,49	2,79	1,97	0,52	2,74	1,96	0,54	2,67	1,93	0,56	2,56	1,89	0,61
32	24	3,14	2,01	0,45	3,02	1,97	0,49	2,90	1,93	0,52	2,86	1,91	0,55	2,79	1,89	0,57	2,67	1,85	0,61

AFR	9,0
-----	-----

Heating 220-240V 50Hz

A	D									
	-10		-5		0		6		10	
	TC	PI	TC	PI	TC	PI	TC	PI	TC	PI
15	2,15	0,69	2,52	0,73	2,88	0,76	3,31	0,80	3,60	0,83
20	2,04	0,71	2,41	0,75	2,77	0,77	3,20	0,82	3,49	0,85
22	2,00	0,72	2,36	0,75	2,72	0,78	3,16	0,83	3,44	0,86
24	1,96	0,73	2,32	0,76	2,68	0,79	3,11	0,84	3,40	0,87
25	1,93	0,73	2,29	0,77	2,66	0,80	3,09	0,84	3,38	0,87
27	1,89	0,74	2,25	0,78	2,61	0,80	3,05	0,85	3,33	0,88

Notes

- The capacities are based on the following conditions:
 Corresponding refrigerant piping length: 5.0 m
 Level difference: 0m
- The bold cells indicate the standard conditions.
 Rated operating frequency [Hz]

Symbols

- TC: Total capacity [kW]
- PI: Power input [kW]
- SHC: Sensible heat capacity [kW]
- AFR: Air flow rate [m³/min]
- BF: Bypass factor

- A Indoor air temperature [°C DB]
- B Indoor air temperature [°C WB]
- C Outdoor air temperature [°C DB]
- D Outdoor air temperature [°C WB]

3D091972

4 Capacity tables

4 - 1 Cooling/Heating Capacity Tables

FFQ35C2VEB + RXS35L3V1B

AFR	10,0
BF	0,25

Cooling 220-240V 50Hz

A	B	C																	
		20			25			30			32			35			40		
		TC	SHC	PI	TC	SHC	PI	TC	SHC	PI	TC	SHC	PI	TC	SHC	PI	TC	SHC	PI
20	14	3,48	2,48	0,70	3,33	2,40	0,78	3,17	2,32	0,84	3,10	2,29	0,87	3,01	2,24	0,91	2,85	2,16	0,98
22	16	3,64	2,44	0,71	3,48	2,36	0,78	3,32	2,28	0,84	3,26	2,25	0,87	3,17	2,21	0,91	3,01	2,13	0,98
25	18	3,80	2,54	0,71	3,64	2,46	0,78	3,48	2,39	0,85	3,42	2,36	0,88	3,32	2,32	0,92	3,16	2,25	0,99
27	19	3,87	2,66	0,72	3,72	2,56	0,79	3,56	2,52	0,85	3,49	2,49	0,88	3,40	2,45	0,92	3,24	2,39	0,99
30	22	4,11	2,56	0,72	3,95	2,50	0,79	3,79	2,44	0,86	3,73	2,41	0,89	3,63	2,38	0,93	3,48	2,32	1,00
32	24	4,27	2,49	0,73	4,11	2,43	0,80	3,95	2,37	0,86	3,89	2,35	0,89	3,79	2,32	0,93	3,63	2,26	1,00

AFR	10,0
-----	------

Heating 220-240V 50Hz

A	D									
	-10		-5		0		6		10	
	TC	PI	TC	PI	TC	PI	TC	PI	TC	PI
15	2,82	1,01	3,30	1,06	3,78	1,11	4,35	1,17	4,73	1,21
20	2,68	1,04	3,16	1,09	3,63	1,14	4,20	1,20	4,58	1,24
22	2,63	1,05	3,10	1,10	3,57	1,15	4,14	1,21	4,53	1,25
24	2,56	1,06	3,05	1,11	3,52	1,16	4,08	1,22	4,46	1,26
25	2,54	1,07	3,01	1,12	3,49	1,17	4,05	1,23	4,43	1,27
27	2,48	1,08	2,95	1,13	3,42	1,18	4,00	1,24	4,38	1,28

Notes

- The capacities are based on the following conditions:
 Corresponding refrigerant piping length: 5.0 m
 Level difference: 0m
- The bold cells indicate the standard conditions.
 Rated operating frequency [Hz]

Symbols

- TC: Total capacity [kW]
- PI: Power input [kW]
- SHC: Sensible heat capacity [kW]
- AFR: Air flow rate [m³/min]
- BF: Bypass factor

- A Indoor air temperature [°C DB]
- B Indoor air temperature [°C WB]
- C Outdoor air temperature [°C DB]
- D Outdoor air temperature [°C WB]

3D091973

4 Capacity tables

4 - 1 Cooling/Heating Capacity Tables

FBQ35D2VEB + RXS35L3V1B

Cooling 50Hz 220-240V

AFR	15,0
BF	0,08

Indoor		Outdoor temperature [°C DB]																	
EWB	EDB	20,0			25,0			30,0			32,0			35,0			40,0		
°C	°C	TC	SHC	PI	TC	SHC	PI	TC	SHC	PI	TC	SHC	PI	TC	SHC	PI	TC	SHC	PI
14,0	20,0	3,48	3,13	0,65	3,33	3,06	0,72	3,17	2,99	0,78	3,10	2,96	0,80	3,01	2,92	0,84	2,85	2,85	0,91
16,0	22,0	3,64	3,09	0,66	3,48	3,02	0,72	3,32	2,95	0,78	3,26	2,93	0,81	3,17	2,89	0,85	3,01	2,82	0,91
18,0	25,0	3,80	3,31	0,66	3,64	3,25	0,72	3,48	3,18	0,79	3,42	3,16	0,81	3,32	3,12	0,85	3,16	3,06	0,91
19,0	27,0	3,87	3,56	0,66	3,72	3,50	0,73	3,56	3,44	0,79	3,49	3,41	0,81	3,40	3,38	0,85	3,24	3,32	0,91
22,0	30,0	4,11	3,46	0,67	3,95	3,41	0,73	3,79	3,35	0,79	3,73	3,33	0,82	3,63	3,30	0,86	3,48	3,25	0,92
24,0	32,0	4,27	3,39	0,67	4,11	3,34	0,74	3,95	3,30	0,80	3,89	3,28	0,82	3,79	3,25	0,86	3,63	3,20	0,92

Heating 50Hz 220-240V

AFR	15,0
-----	------

Indoor		Outdoor temperature [°C WB]									
EDB	°C	-10,0		-5,0		0,0		6,0		10,0	
°C	°C	TC	PI	TC	PI	TC	PI	TC	PI	TC	PI
15,0	2,69	0,85	3,14	0,89	3,60	0,93	4,14	0,98	4,50	1,01	
20,0	2,55	0,87	3,01	0,91	3,46	0,95	4,00	1,00	4,36	1,03	
22,0	2,50	0,88	2,95	0,92	3,40	0,96	3,94	1,01	4,31	1,04	
24,0	2,44	0,89	2,90	0,93	3,35	0,97	3,89	1,02	4,25	1,05	
25,0	2,42	0,89	2,87	0,93	3,32	0,97	3,86	1,02	4,22	1,06	
27,0	2,36	0,90	2,81	0,94	3,26	0,98	3,81	1,03	4,17	1,06	

Symbols

- AFR: Air flow rate [m³/min]
- BF: Bypass factor
- EWB: Entering wet-bulb temperature (°C WB)
- EDB: Entering dry-bulb temperature (°C DB)
- TC: Total capacity [kW]
- SHC: Sensible heat capacity [kW]
- PI: Power input [kW]

Notes

- 1) The ratings shown are net capacities which include a deduction for indoor fan motor heat.
- 2) The bold cells indicate the standard conditions.
- 3) The total capacity, power input and sensible heat capacity must be calculated by interpolation, using the figures in the table (figures not in the table may not be used in the calculation).
- 4) In case the sensible heat capacity is not mentioned in the table, please calculate it using an approximation between two values in direct proportion.
- 5) The capacities are based on the following conditions:
 Corresponding refrigerant piping length: 5 m
 Level difference: 0m
- 6) The air flow rate and bypass factor are mentioned in the table.

3D095138A

4 Capacity tables

4 - 1 Cooling/Heating Capacity Tables

FHQ35CAVEB + RXS35L3V1B

AFR	14,0
BF	0,17

Cooling 220-240V 50Hz

A	B	C																	
		20			25			30			32			35			40		
		TC	SHC	PI	TC	SHC	PI	TC	SHC	PI	TC	SHC	PI	TC	SHC	PI	TC	SHC	PI
20	14	3,48	2,76	0,73	3,33	2,69	0,80	3,17	2,61	0,87	3,10	2,58	0,90	3,01	2,54	0,94	2,85	2,47	1,01
22	16	3,64	2,72	0,73	3,48	2,65	0,81	3,32	2,58	0,88	3,26	2,55	0,90	3,17	2,51	0,94	3,01	2,44	1,01
25	18	3,80	2,87	0,73	3,64	2,81	0,81	3,48	2,74	0,88	3,42	2,72	0,90	3,32	2,68	0,95	3,16	2,61	1,02
27	19	3,87	3,05	0,74	3,72	2,99	0,81	3,56	2,93	0,88	3,49	2,90	0,90	3,40	2,87	0,95	3,24	2,80	1,02
30	22	4,11	2,95	0,74	3,95	2,90	0,81	3,79	2,84	0,89	3,73	2,82	0,91	3,63	2,79	0,96	3,48	2,73	1,02
32	24	4,27	2,88	0,75	4,11	2,83	0,82	3,95	2,78	0,89	3,89	2,76	0,91	3,79	2,73	0,96	3,63	2,68	1,03

AFR	14,0
-----	------

Heating 220-240V 50Hz

A	D									
	-10		-5		0		6		10	
	TC	PI	TC	PI	TC	PI	TC	PI	TC	PI
15	2,69	0,83	3,14	0,86	3,60	0,91	4,14	0,95	4,50	0,99
20	2,55	0,84	3,01	0,89	3,46	0,93	4,00	0,98	4,36	1,02
22	2,50	0,85	2,95	0,90	3,40	0,94	3,94	0,99	4,31	1,03
24	2,44	0,86	2,90	0,91	3,35	0,95	3,89	1,00	4,25	1,03
25	2,42	0,87	2,87	0,91	3,32	0,95	3,86	1,01	4,22	1,03
27	2,36	0,88	2,81	0,92	3,26	0,96	3,81	1,02	4,17	1,04

Notes

- The capacities are based on the following conditions:
 Corresponding refrigerant piping length: 5.0 m
 Level difference: 0m
- The bold cells indicate the standard conditions.
 Rated operating frequency [Hz]

Symbols

- TC: Total capacity [kW]
- PI: Power input [kW]
- SHC: Sensible heat capacity [kW]
- AFR: Air flow rate [m³/min]
- BF: Bypass factor

- A Indoor air temperature [°C DB]
- B Indoor air temperature [°C WB]
- C Outdoor air temperature [°C DB]
- D Outdoor air temperature [°C WB]

3D091975

4 Capacity tables

4 - 1 Cooling/Heating Capacity Tables

FNQ25A2VEB + RXS25L3V1B

Cooling 50Hz 230V

AFR	8,7
BF	0,17

Indoor		Outdoor temperature [°C DB]																	
EWB	EDB	20,0			25,0			30,0			32,0			35,0			40,0		
°C	°C	TC	SHC	PI	TC	SHC	PI	TC	SHC	PI	TC	SHC	PI	TC	SHC	PI	TC	SHC	PI
14,0	20,0	2,66	2,04	0,53	2,54	1,98	0,58	2,42	1,92	0,63	2,37	1,90	0,65	2,30	1,86	0,68	2,18	1,81	0,73
16,0	22,0	2,78	2,00	0,53	2,66	1,95	0,58	2,54	1,89	0,63	2,49	1,87	0,65	2,42	1,84	0,68	2,30	1,78	0,74
18,0	25,0	2,90	2,11	0,53	2,78	2,06	0,59	2,66	2,00	0,64	2,61	1,98	0,66	2,54	1,95	0,69	2,42	1,90	0,74
19,0	27,0	2,96	2,23	0,54	2,84	2,18	0,59	2,72	2,13	0,64	2,67	2,11	0,66	2,60	2,08	0,69	2,48	2,04	0,74
22,0	30,0	3,14	2,16	0,54	3,02	2,11	0,59	2,90	2,07	0,64	2,85	2,05	0,66	2,78	2,02	0,69	2,66	1,98	0,74
24,0	32,0	3,26	2,10	0,54	3,14	2,06	0,59	3,02	2,02	0,65	2,97	2,01	0,67	2,90	1,98	0,70	2,78	1,94	0,75

Heating 50Hz 230V

AFR	8,7
-----	-----

Indoor		Outdoor temperature [°C WB]									
EDB	°C	-10,0		-5,0		0,0		6,0		10,0	
°C	°C	TC	PI	TC	PI	TC	PI	TC	PI	TC	PI
15,0	20,0	2,15	0,68	2,52	0,71	2,88	0,74	3,31	0,78	3,60	0,81
20,0	27,0	2,04	0,69	2,41	0,73	2,77	0,76	3,20	0,80	3,49	0,83
22,0	30,0	2,00	0,70	2,36	0,73	2,72	0,77	3,16	0,81	3,44	0,83
24,0	32,0	1,96	0,71	2,32	0,74	2,68	0,77	3,11	0,81	3,40	0,84
25,0	35,0	1,93	0,71	2,29	0,75	2,66	0,78	3,09	0,82	3,38	0,84
27,0	40,0	1,89	0,72	2,25	0,75	2,61	0,79	3,05	0,83	3,33	0,85

Symbols

- AFR: Air flow rate [m³/min]
- BF: Bypass factor
- EWB: Entering wet-bulb temperature (°C WB)
- EDB: Entering dry-bulb temperature (°C DB)
- TC: Total capacity [kW]
- SHC: Sensible heat capacity [kW]
- PI: Power input [kW]

Notes

- 1) The ratings shown are net capacities which include a deduction for indoor fan motor heat.
- 2) The bold cells indicate the standard conditions.
- 3) The total capacity, power input and sensible heat capacity must be calculated by interpolation, using the figures in the table (figures not in the table may not be used in the calculation).
- 4) In case the sensible heat capacity is not mentioned in the table, please calculate it using an approximation between two values in direct proportion.
- 5) The capacities are based on the following conditions:
Corresponding refrigerant piping length: 7 m
Level difference: 0m
- 6) The air flow rate and bypass factor are mentioned in the table.

3D096571A

4 Capacity tables

4 - 1 Cooling/Heating Capacity Tables

4

FNQ35A2VEB + RXS35L3V1B

Cooling 50Hz 230V

AFR	8,7
BF	0,17

Indoor		Outdoor temperature [°C DB]																	
EWB	EDB	20,0			25,0			30,0			32,0			35,0			40,0		
°C	°C	TC	SHC	PI	TC	SHC	PI	TC	SHC	PI	TC	SHC	PI	TC	SHC	PI	TC	SHC	PI
14,0	20,0	2,96	2,19	0,79	2,96	2,19	0,89	2,96	2,19	0,99	2,96	2,19	1,04	2,96	2,19	1,09	2,85	2,13	1,18
16,0	22,0	3,64	2,42	0,86	3,48	2,34	0,94	3,32	2,26	1,02	3,26	2,23	1,05	3,17	2,18	1,10	3,01	2,11	1,19
18,0	25,0	3,80	2,51	0,86	3,64	2,43	0,94	3,48	2,36	1,03	3,42	2,33	1,06	3,32	2,29	1,11	3,16	2,22	1,19
19,0	27,0	3,87	2,63	0,86	3,72	2,55	0,95	3,56	2,48	1,03	3,49	2,46	1,06	3,40	2,42	1,11	3,24	2,35	1,19
22,0	30,0	4,11	2,52	0,87	3,95	2,46	0,95	3,79	2,40	1,04	3,73	2,38	1,07	3,63	2,34	1,12	3,48	2,28	1,20
24,0	32,0	4,27	2,45	0,88	4,11	2,39	0,96	3,95	2,34	1,04	3,89	2,32	1,07	3,79	2,28	1,12	3,63	2,23	1,21

Heating 50Hz 230V

AFR	8,7
-----	-----

Indoor		Outdoor temperature [°C WB]									
EDB		-10,0		-5,0		0,0		6,0		10,0	
°C		TC	PI	TC	PI	TC	PI	TC	PI	TC	PI
15,0		2,69	0,97	3,14	1,02	3,60	1,07	4,14	1,12	4,50	1,16
20,0		2,55	1,00	3,01	1,05	3,46	1,09	4,00	1,15	4,36	1,19
22,0		2,50	1,01	2,95	1,06	3,40	1,10	3,94	1,16	4,31	1,20
24,0		2,44	1,02	2,90	1,07	3,35	1,11	3,89	1,17	4,21	1,20
25,0		2,42	1,02	2,87	1,07	3,32	1,12	3,86	1,18	4,06	1,19
27,0		2,36	1,03	2,81	1,08	3,26	1,13	3,77	1,18	3,77	1,17

Symbols

- AFR: Air flow rate [m³/min]
- BF: Bypass factor
- EWB: Entering wet-bulb temperature (°C WB)
- EDB: Entering dry-bulb temperature (°C DB)
- TC: Total capacity [kW]
- SHC: Sensible heat capacity [kW]
- PI: Power input [kW]

Notes

- 1) The ratings shown are net capacities which include a deduction for indoor fan motor heat.
- 2) The bold cells indicate the standard conditions.
- 3) The total capacity, power input and sensible heat capacity must be calculated by interpolation, using the figures in the table (figures not in the table may not be used in the calculation).
- 4) In case the sensible heat capacity is not mentioned in the table, please calculate it using an approximation between two values in direct proportion.
- 5) The capacities are based on the following conditions:
Corresponding refrigerant piping length: 7 m
Level difference: 0m
- 6) The air flow rate and bypass factor are mentioned in the table.

3D096572A

4 Capacity tables

4 - 1 Cooling/Heating Capacity Tables

FBQ35C8VEB + RXS35L3V1B

AFR	16,0
BF	0,15

Cooling 220-240V 50Hz

A	B	C																	
		20			25			30			32			35			40		
		TC	SHC	PI	TC	SHC	PI	TC	SHC	PI	TC	SHC	PI	TC	SHC	PI	TC	SHC	PI
20	14	3,48	3,12	0,81	3,33	3,04	0,89	3,17	2,97	0,97	3,10	2,94	1,00	3,01	2,90	1,04	2,85	2,83	1,12
22	16	3,64	3,07	0,81	3,48	3,00	0,89	3,32	2,93	0,97	3,26	2,91	1,00	3,17	2,87	1,05	3,01	2,80	1,13
25	18	3,80	3,29	0,82	3,64	3,22	0,90	3,48	3,16	0,98	3,42	3,14	1,01	3,32	3,10	1,05	3,16	3,04	1,13
27	19	3,87	3,53	0,82	3,72	3,47	0,90	3,56	3,41	0,98	3,49	3,39	1,01	3,40	3,35	1,06	3,24	3,30	1,13
30	22	4,11	3,43	0,83	3,95	3,38	0,91	3,79	3,33	0,98	3,73	3,31	1,02	3,63	3,28	1,06	3,48	3,22	1,14
32	24	4,27	3,37	0,83	4,11	3,32	0,91	3,95	3,27	0,99	3,89	3,25	1,02	3,79	3,22	1,07	3,63	3,18	1,15

AFR	16,0
-----	------

Heating 220-240V 50Hz

A	D									
	-10		-5		0		6		10	
	TC	PI	TC	PI	TC	PI	TC	PI	TC	PI
15	2,69	0,93	3,14	0,98	3,60	1,02	4,14	1,08	4,50	1,12
20	2,55	0,96	3,01	1,00	3,46	1,05	4,00	1,11	4,36	1,14
22	2,50	0,97	2,95	1,01	3,40	1,06	3,94	1,12	4,31	1,15
24	2,44	0,98	2,90	1,02	3,35	1,07	3,89	1,13	4,25	1,16
25	2,42	0,98	2,87	1,03	3,32	1,08	3,86	1,13	4,22	1,17
27	2,36	0,99	2,81	1,04	3,26	1,09	3,81	1,14	4,17	1,18

Notes

- The capacities are based on the following conditions:
 Corresponding refrigerant piping length: 5.0 m
 Level difference: 0m
- The bold cells indicate the standard conditions.
 Rated operating frequency [Hz]

Symbols

- TC: Total capacity [kW]
- PI: Power input [kW]
- SHC: Sensible heat capacity [kW]
- AFR: Air flow rate [m³/min]
- BF: Bypass factor
- A Indoor air temperature [°C DB]
- B Indoor air temperature [°C WB]
- C Outdoor air temperature [°C DB]
- D Outdoor air temperature [°C WB]

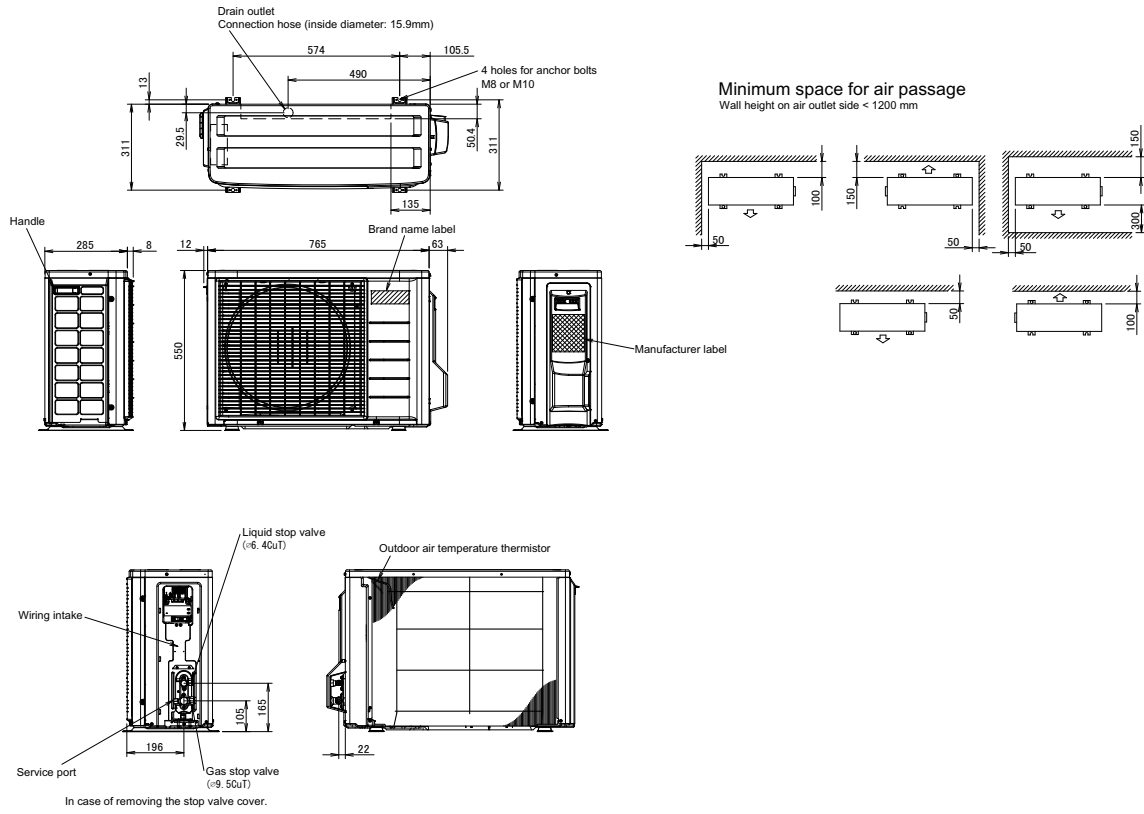
3D091976

5 Dimensional drawings

5 - 1 Dimensional Drawings

5

RXS20-35L3

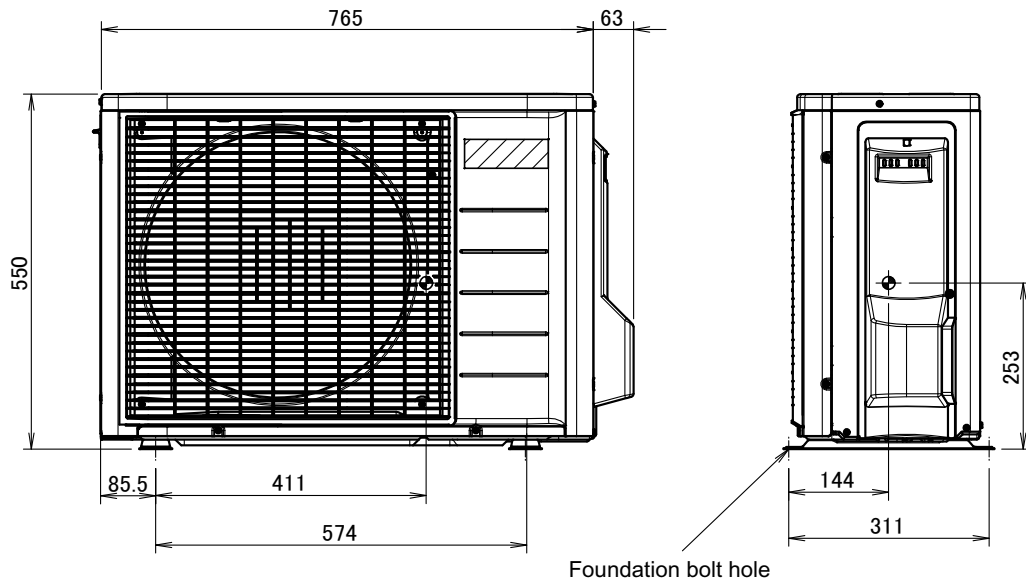


3D091996

6 Centre of gravity

6 - 1 Centre of Gravity

RXS20-35L3



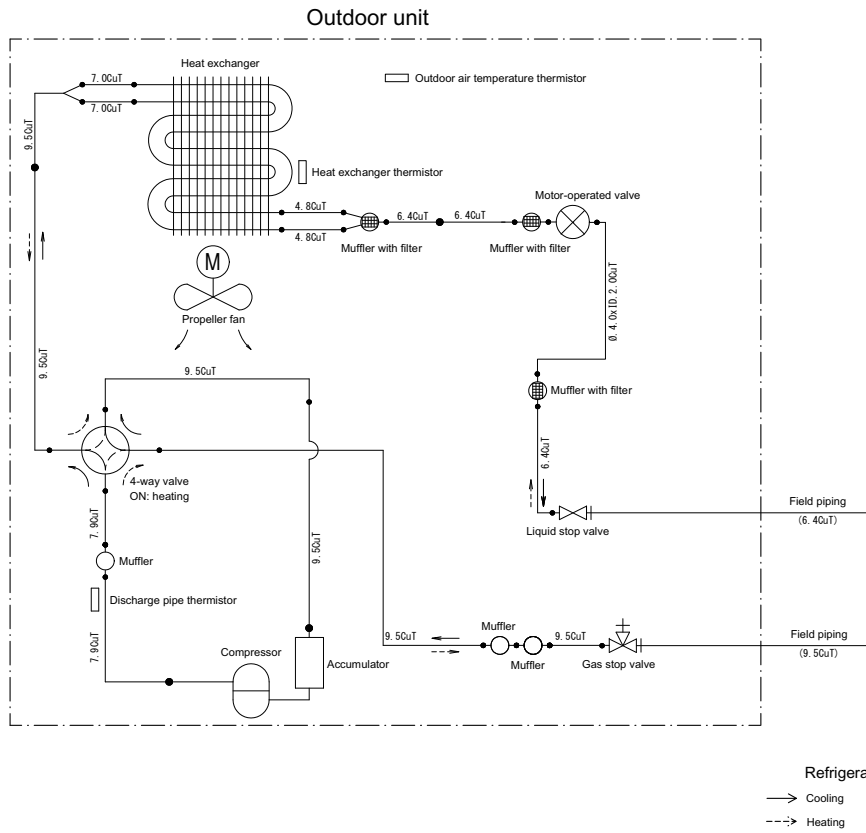
4D092000

7 Piping diagrams

7 - 1 Piping Diagrams

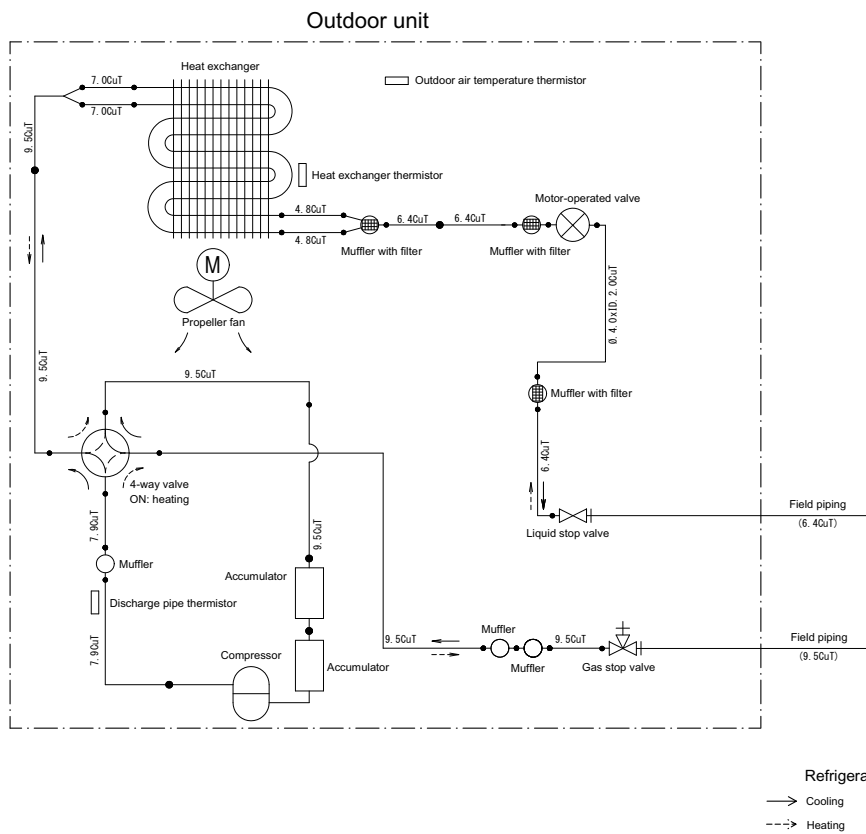
7

RXS20-25L3



3D091995

RXS35L3

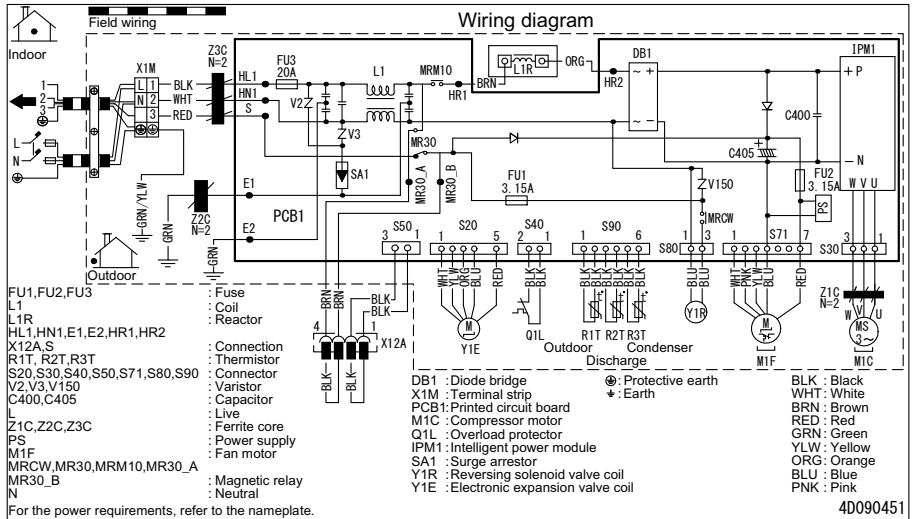


3D092419

8 Wiring diagrams

8 - 1 Wiring Diagrams - Single Phase

RXS20-35L3



Notes

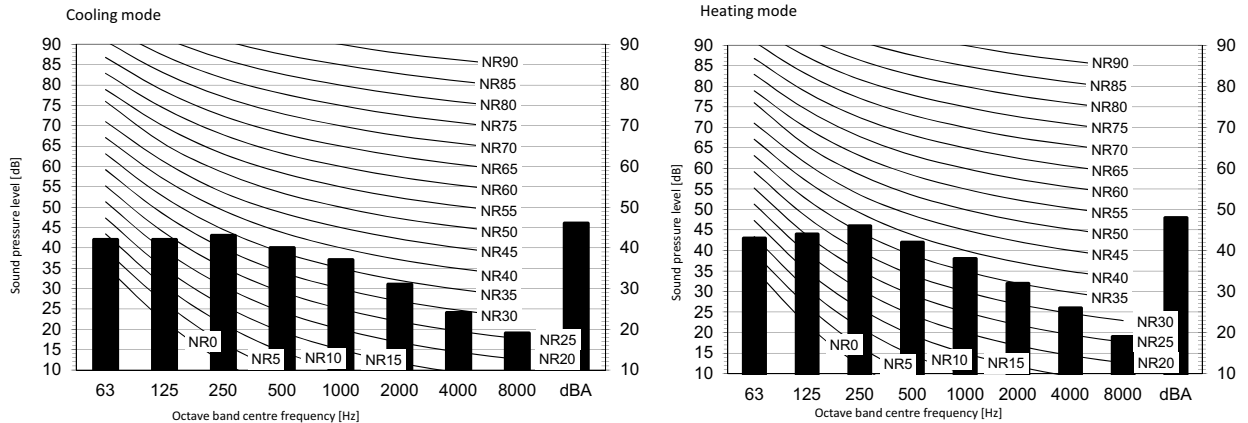
1. Size: length 80 X width 140.
2. Refer to purchasing specification AS303002, unless otherwise specified.

4D090151

9 Sound data

9 - 1 Sound Pressure Spectrum

RXS20-25L3



Legend

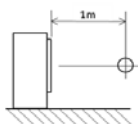
dBA = A-weighted sound pressure level (A scale according to IEC).

A Scale

B High-tap

Low-tap

Location of microphone



Cooling		Total dB
A	B	
dBA	46	

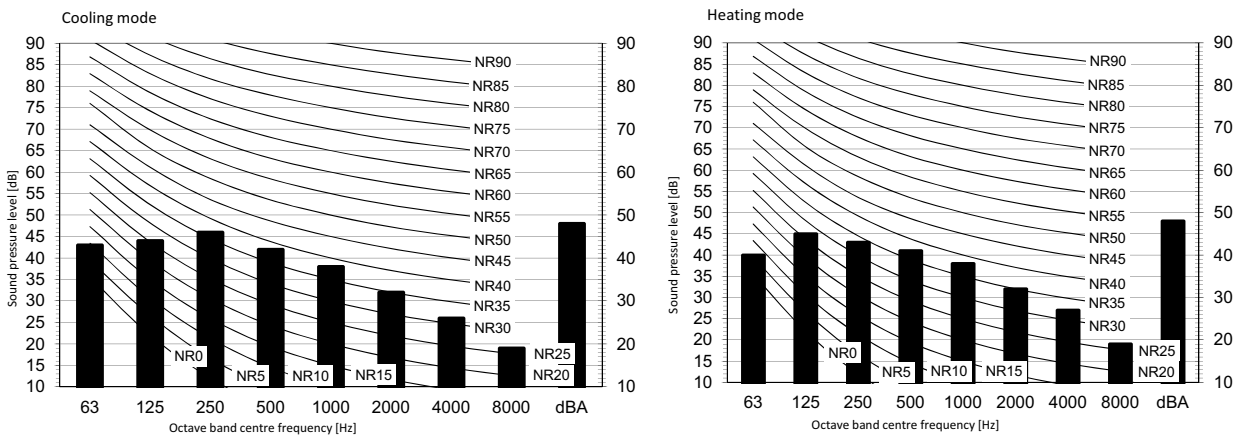
Heating		Total dB
A	B	
dBA	47	

Notes

1. Operating conditions: power source 220-240 V/220 V 50/60 Hz; JIS standard
2. Background noise already taken into account.
3. Operating noise varies depending on operation and ambient conditions.
4. The operation noise measuring method is in accordance with JISC9612.
5. Measuring location: anechoic chamber

3D091953

RXS35L3



Legend

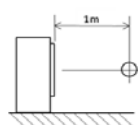
dBA = A-weighted sound pressure level (A scale according to IEC).

A Scale

B High-tap

Low-tap

Location of microphone



Cooling		Total dB
A	B	
dBA	48	

Heating		Total dB
A	B	
dBA	49	

Notes

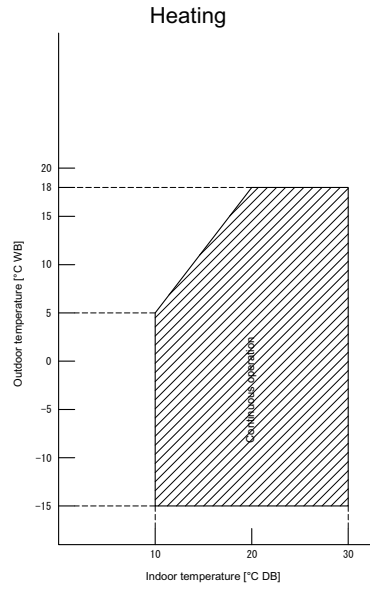
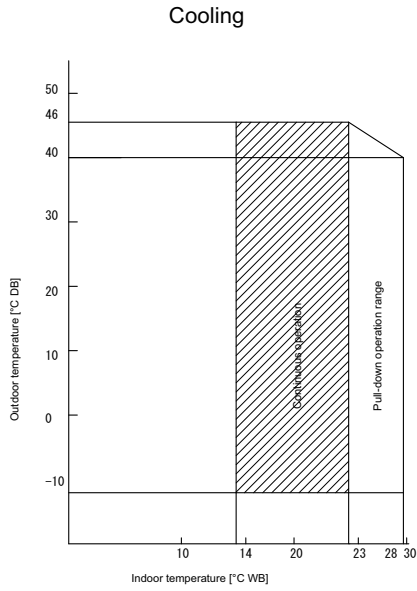
1. Operating conditions: power source 220-240 V/220 V 50/60 Hz; JIS standard
2. Background noise already taken into account.
3. Operating noise varies depending on operation and ambient conditions.
4. The operation noise measuring method is in accordance with JISC9612.
5. Measuring location: anechoic chamber

3D091954

10 Operation range

10 - 1 Operation Range

RXS20-35L3



Notes

The graphs is based on the following conditions.
 Corresponding refrigerant piping length: 5 m
 Level difference: 0m
 Air flow rate High

3D091960



Daikin Europe N.V. participates in the Eurovent Certification programme for Liquid Chilling Packages (LCP), Air handling units (AHU), Fan coil units (FCU) and variable refrigerant flow systems (VRF) Check ongoing validity of certificate online: www.eurovent-certification.com or using: www.certiflash.com

The present leaflet is drawn up by way of information only and does not constitute an offer binding upon Daikin Europe N.V.. Daikin Europe N.V. has compiled the content of this leaflet to the best of its knowledge. No express or implied warranty is given for the completeness, accuracy, reliability or fitness for particular purpose of its content and the products and services presented therein. Specifications are subject to change without prior notice. Daikin Europe N.V. explicitly rejects any liability for any direct or indirect damage, in the broadest sense, arising from or related to the use and/or interpretation of this leaflet. All content is copyrighted by Daikin Europe N.V.

BARCODE

Daikin products are distributed by: