

Air Conditioning
Technical Data

CTXM-M



> CTXM15M2V1B

TABLE OF CONTENTS

CTXM-M

1	Features	2
2	Specifications	3
	Technical Specifications	3
	Electrical Specifications	4
3	Options	5
4	Dimensional drawings	6
5	Centre of gravity	7
6	Piping diagrams	8
7	Wiring diagrams	9
	Wiring Diagrams - Single Phase	9
8	Sound data	10
	Sound Pressure Spectrum	10

1 Features

Attractive, wall mounted design with perfect indoor air quality

- Seasonal efficiency values up to A+++ in cooling and heating thanks to its up-to-date technology and built-in intelligence.
- Practically inaudible: the unit runs so quietly, you will almost forget it is there.
- Fresher, cleaner air thanks to Daikin's Flash Streamer technology: you can breathe deep with no worries about impure air
- 2 area intelligent eye: air flow is sent to a zone other than where the person is located at that moment; if no people are detected, the unit will automatically switch over to the energy-efficient setting.
- 3-D air flow combines vertical and horizontal auto swing to circulate a stream of warm or cool air right to the corners of even large spaces
- Online controller (optional): control your indoor from any location with an app, via your local network or internet and keep an overview on your energy consumption
- Sleek, unobtrusive air conditioning unit that matches European sensibilities regarding interior design
- Choosing for an R-32 product, reduces the environmental impact with 68% compared to R-410A and leads directly to lower energy consumption thanks to its high energy efficiency

1



Practically inaudible



Econo mode



2 area intelligent eye



Movement sensor



Energy saving during standby mode



Night set mode



Fan only



Comfort mode



Powerful mode



Auto cooling-heating changeover



Whisper quiet



Indoor unit silent operation



Outdoor unit silent operation



3-D air flow



Vertical auto swing



Horizontal auto swing



Auto fan speed



Fan speed steps



Dry programme



Flash Streamer



Weekly timer



24 hour timer



Infrared remote control



Wired remote control



Centralised control



Online controller via app



Auto-restart



Self diagnosis



Multi model application

2 Specifications

2-1 Technical Specifications				CTXM15M	
Power input - 50Hz	Cooling	Nom.	kW	0.030	
	Heating	Nom.	kW	0.025	
Casing	Colour			White	
Dimensions	Unit	Height/Width/Depth	mm	272/811/294	
	Packed unit	Height/Width/Depth	mm	350/865/375	
Weight	Unit		kg	10	
	Packed unit		kg	12	
Packing	Weight		kg	2	
Heat exchanger	Length		mm	610	
	Rows	Quantity		2	
	Fin pitch		mm	1.4	
	Stages	Quantity		18	
	Tube type			ø5 Hi-XB	
	Fin	Type		ML fin (Multi louver)	
Heat exchanger 2	Length		mm	600	
	Rows	Quantity		1	
	Fin pitch		mm	1.4	
	Stages	Quantity		4	
Air filter	Type			Removable / washable / mildew proof	
Fan	Type			Cross flow fan	
	Air flow rate	Cooling	High	m ³ /min	11.1
				cfm	392
			Low	m ³ /min	6.0
				cfm	212
			Silent operation	m ³ /min	4.4
				cfm	155
		Nom.	cfm	280	
			m ³ /min	7.9	
		Heating	High	m ³ /min	10.4
				cfm	367
			Low	m ³ /min	6.5
				cfm	230
	Silent operation		m ³ /min	5.3	
cfm			187		
Nom.	cfm	307			
	m ³ /min	8.7			
Fan motor	Model			MM6K11S20VA	
	Speed	Steps		5 + silent, + auto	
		Cooling	High/Medium/Low/Silent operation	rpm	1,070/800/640/520
				rpm	1,000/860/690/590
		Heating	High/Medium/Low/Silent operation	rpm	1,000/860/690/590
rpm	1,000/860/690/590				
Output	Rated		W	22	
Sound power level	Cooling		dBA	57	
	Heating		dBA	54	
Sound pressure level	Cooling	High/Low/Silent operation	dBA	41/25/19	
	Heating	High/Low/Silent operation	dBA	39/26/20	

2 Specifications

2

2-1 Technical Specifications			CTXM15M
Control systems	Infrared remote control		ARC466A33
	Wired remote control		BRC944B2 / BRC073A1
Refrigerant	Type		R-32
Piping connections	Liquid	OD	6.35
	Gas	OD	9.5
	Drain		18
	Heat insulation		Both liquid and gas pipes
Temperature control			Microcomputer control
Air direction control			Right, Left, Horizontal, Downward

Standard Accessories : Installation manual; Quantity : 1;

Standard Accessories : Operation manual; Quantity : 1;

Standard Accessories : Infrared remote control; Quantity : 1;

Standard Accessories : AAA dry-cell batteries; Quantity : 2;

Standard Accessories : Remote control holder; Quantity : 1;

Standard Accessories : Mounting plate; Quantity : 1;

Standard Accessories : Titanium apatite photocatalytic air purification filter; Quantity : 1;

Standard Accessories : Indoor unit fixing screws; Quantity : 2;

2-2 Electrical Specifications				CTXM15M
Power supply	Name			V1
	Phase			1~
	Frequency	Hz		50
	Voltage	V		220-240
Current	Nominal running current (RLA) - 50Hz	Cooling	A	0.22
		Heating	A	0.17

Notes

SL: The silent fan level of the air flow rate setting

3 Options

3 - 1 Options

CTXM-M

Option kit	CTXM-M	Remark
Wired remote control	BRK073A1	
Wired remote control	BRK944B2	
Extension cord for wired remote control (3m)	BRCW901A03	
Extension cord for wired remote control (5m)	BRCW901A08	
Centralised control board (up to 5 rooms)	KRC72A	
Wiring adaptor (normal open contact - normal open pulse contact)	KRP413AB15	
Wi-Fi adaptor for smartphones	BRP069AA1	①
Interface adaptor for DIII-NET	KRP928BB25	
Central remote control	DCS307CA51	
Unified ON/OFF controller	DCS301BA51	
Schedule timer	DST301BA51	
Titanium apatite photocatalytic air-purifying filter without frame	BAF970-A	②

Notes

1. R32 models

Legend

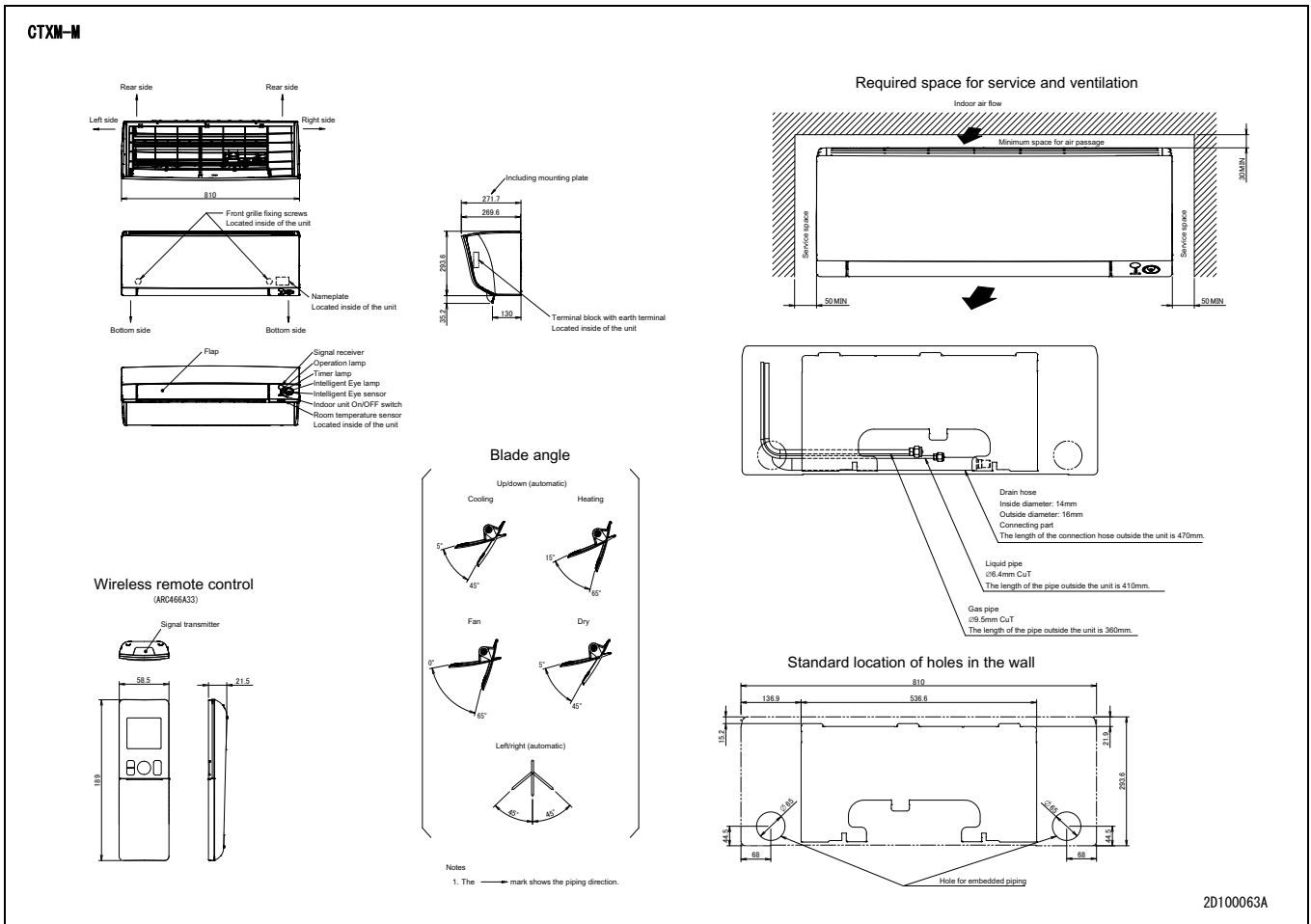
- ① Without connection cable
- ② Three-dimensional knitted fabric (24x115 + 42x255mm) + activated charcoal net

3D095173C

4 Dimensional drawings

4 - 1 Dimensional Drawings

4



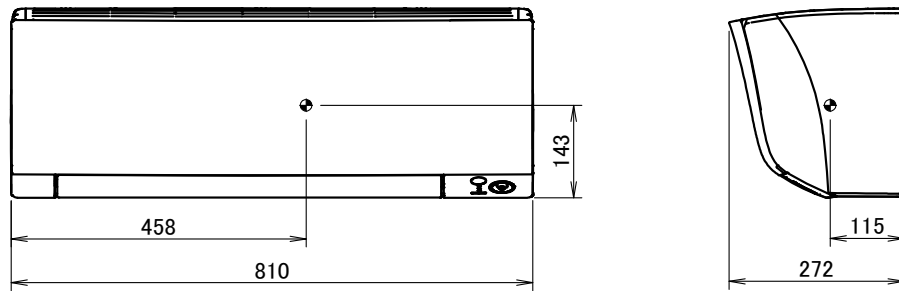
2D100063A

6

5 Centre of gravity

5 - 1 Centre of Gravity

CTXM-M

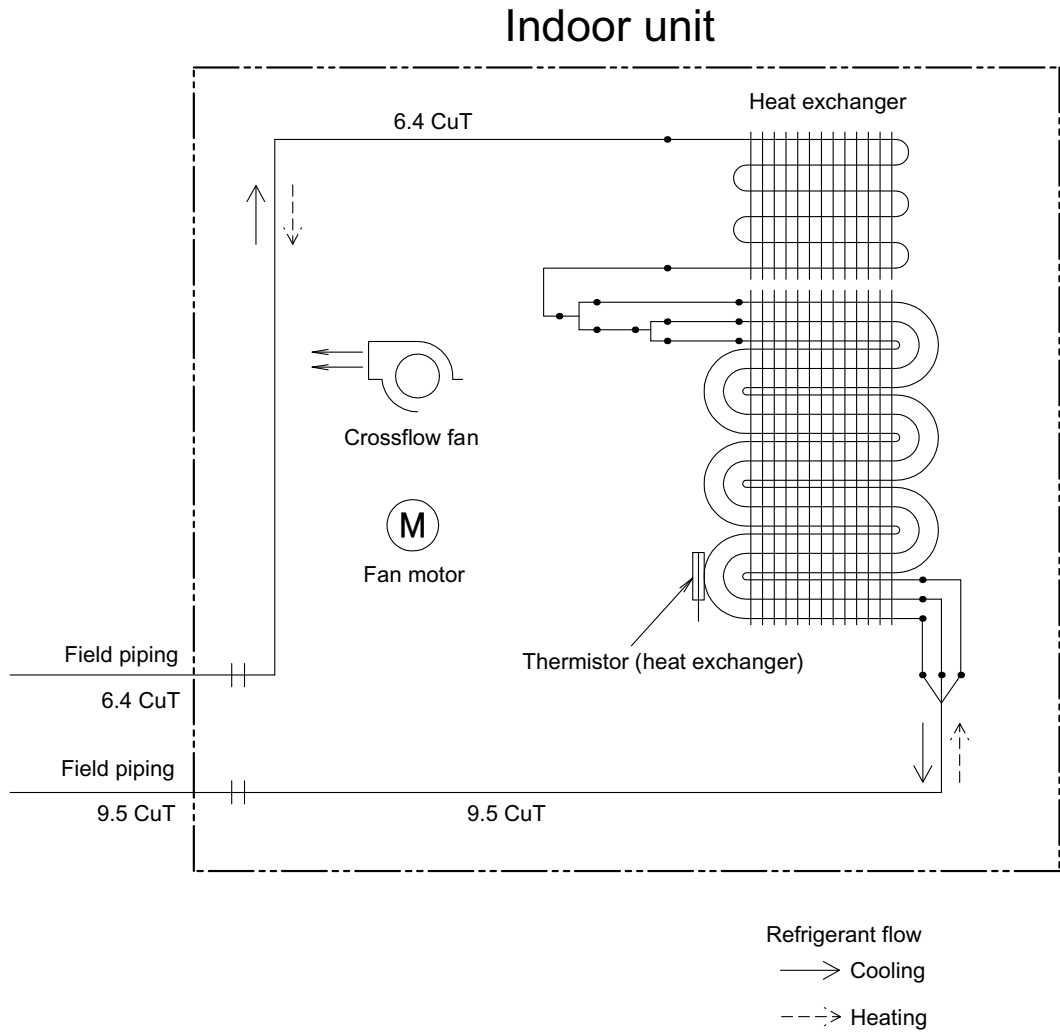


4D100152

6 Piping diagrams

6 - 1 Piping Diagrams

CTXM-M

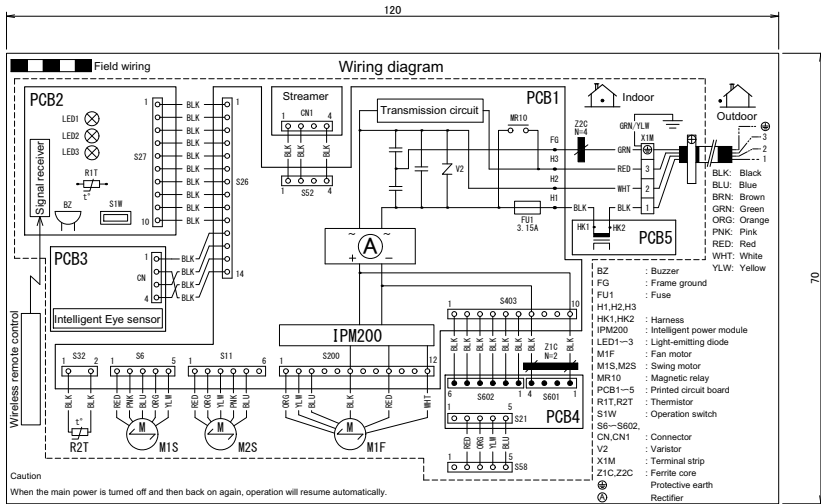


4D098106

7 Wiring diagrams

7 - 1 Wiring Diagrams - Single Phase

CTXM-M



Caution
When the main power is turned off and then back on again, operation will resume automatically.

- Notes
- 1) Size: length 70 X width 120.
 - 2) Refer to purchasing specification AS303002, unless otherwise specified.
 - 3) Editable data for this drawing are available in the GDE (E-BOM) system.

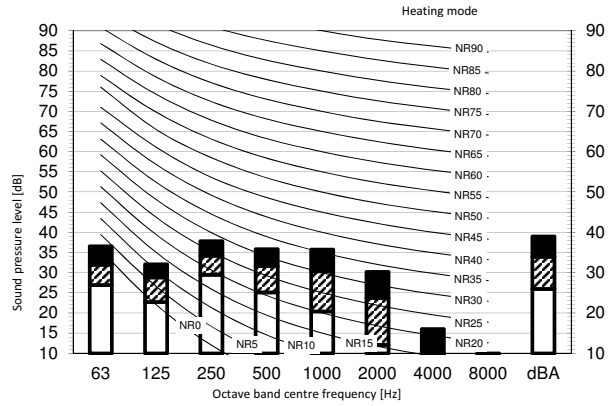
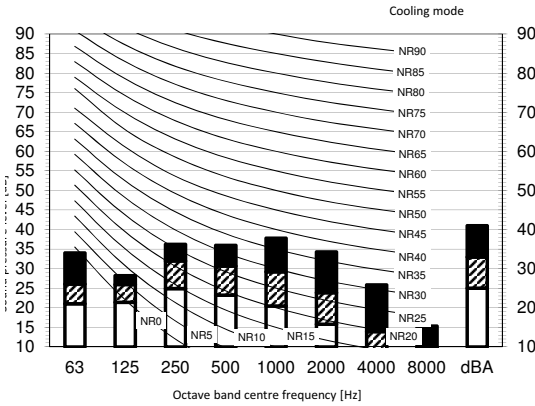
3D098117C

8 Sound data

8 - 1 Sound Pressure Spectrum

8

CTXM-M



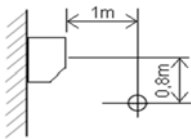
Legend

BA = A-weighted sound pressure level (A scale according to IEC).

A Scale

- High-tap
- ▨ Medium-tap
- Low-tap

Location of microphone



Cooling		Total dB		
A	B	C	D	
dBA	41	33	25	

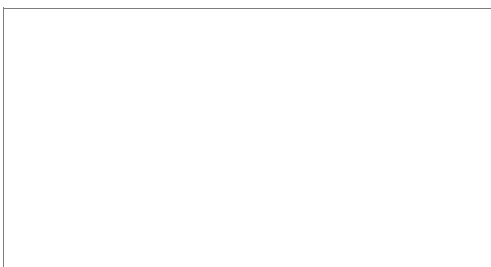
Heating		Total dB		
A	B	C	D	
dBA	39	34	26	

Notes

1. Operating conditions: power source 220-240 V/220 V 50/60 Hz; JIS standard
2. Background noise already taken into account.
3. Operating noise varies depending on operation and ambient conditions.
4. The operation noise measuring method is in accordance with JISC9612.
5. Measuring location: anechoic chamber

3D101042A

Daikin Europe N.V. Naamloze Vennootschap - Zandvoordestraat 300, B-8400 Oostende - Belgium - www.daikin.eu - BE 0412 120 336 - RPR Oostende



EEDEN XXX-06/16



Daikin Europe N.V. participates in the Eurovent Certification programme for Liquid Chilling Packages (LCP), Air handling units (AHU), Fan coil units (FCU) and variable refrigerant flow systems (VRF) Check ongoing validity of certificate online: www.eurovent-certification.com or using: www.certiflash.com



The present leaflet is drawn up by way of information only and does not constitute an offer binding upon Daikin Europe N.V.. Daikin Europe N.V. has compiled the content of this leaflet to the best of its knowledge. No express or implied warranty is given for the completeness, accuracy, reliability or fitness for particular purpose of its content and the products and services presented therein. Specifications are subject to change without prior notice. Daikin Europe N.V. explicitly rejects any liability for any direct or indirect damage, in the broadest sense, arising from or related to the use and/or interpretation of this leaflet. All content is copyrighted by Daikin Europe N.V.